

不能过紧。

setscrew(21) with a hex wrench(23). Do not overtighten.

**注意:** 固定螺钉拧紧之前, 置物架没有被完全固定, 谨防损坏玻璃。

**NOTE:** The shelf is not fixed before all setscrews tightened, which could damage the glass.

### 安装结果检查

### INSTALLATION CHECKOUT

1. 检查并确保所有的螺钉都已拧紧。
2. 检查并确保置物架是水平放置的。
3. 检查并确保所有六角螺钉竖直向下。

1. Ensure all screws are tight.
2. Ensure the glass shelf is level.
3. Ensure all setscrews face straight down.

### 清洗说明

### CLEANING INSTRUCTIONS

适用于所有加工处理过的表面: 以中性肥皂水清洗镀层表面, 再以干净的软布彻底擦干整个表面, 许多清洁剂, 比如氨水、去污粉及洁厕灵等, 会对电镀表面造成伤害, 切忌使用。

All Finishes: Clean the finish with mild soap and warm water. Wipe entire surface completely dry with a clean soft cloth. Many cleaners may contain chemicals, such as ammonia, chlorine, toilet cleaner etc. Which could adversely affect the finish and are not recommended for cleaning.

有磨损性的清洁用具或清洁剂也不可适用于科勒牌的水龙头及其配件上。

Do not use abrasive cleaners or solvents on Kohler faucets and fittings.

# KOHLER®

# 梅玛 MEMOIRS

## ACCESSORY INSTALLATION INSTRUCTIONS

### 浴室配件 安装说明书

### Towel Bar /Towel Ring/Glass Shelf/Paper Holder/Robe Hook

- 485T 18" 毛巾杆
- 486T 24" 毛巾杆
- 487T 毛巾环
- 488T 置物架
- 490T 卫生纸架
- 492T 衣钩

### 安装之前

### BEFORE YOU BEGIN

所有的资料是按最新发布的产品资料编写而成。科勒公司保留任何时候不经通知即可改变产品特性、包装或产品可供类型的权利。

All information is based on the latest product information available at the time of publication. Kohler Co. reserves the right to make changes in product characteristics, packaging, or availability at any time without notice.

说明书包括重要的安装、保养及清洁方面的内容, 请把这些资料交给用户阅读。

Please leave these instructions for the consumer. They contain important information.

#### 注意事项:

本产品为水泥墙面安装或木墙面安装。若安装在其他表面可能影响产品性能。

#### NOTE:

These products should be located and mounted to a wall. While it is possible to mount them to any surface, a stud or concrete mounted product will yield the best results.

#### 危险警告: (人身伤害)

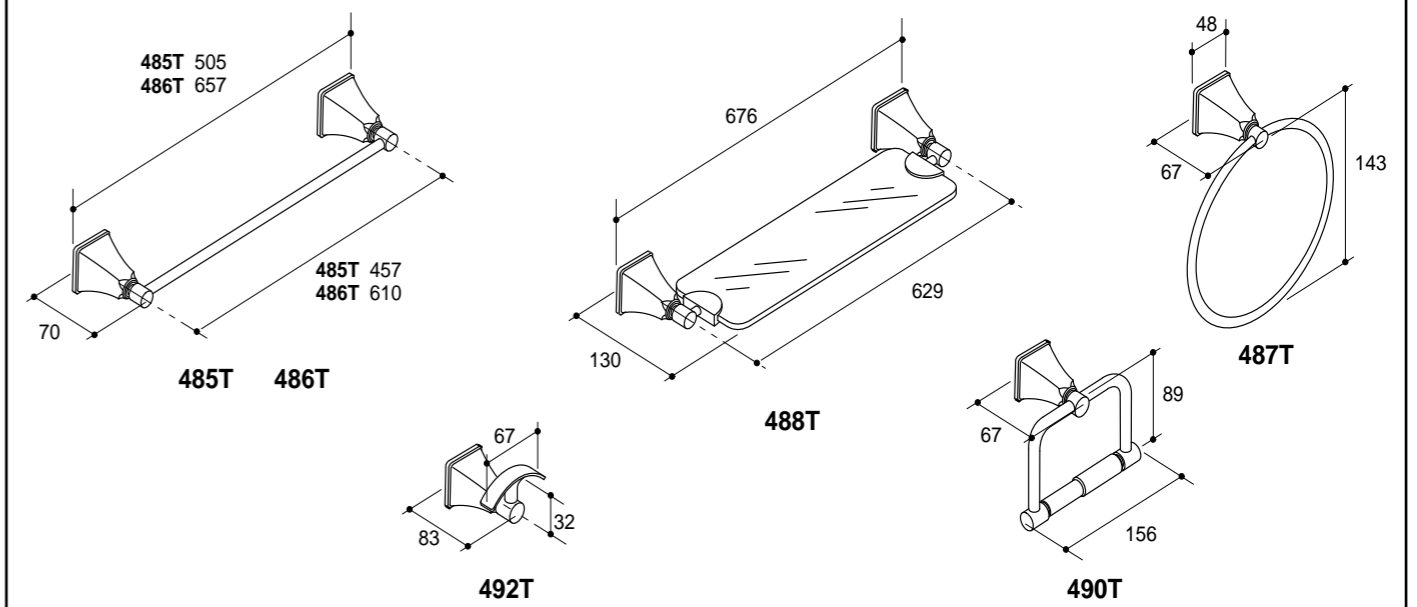
本产品不能作为扶手等支撑物使用, 请勿将产品安装在可能被误认为扶手等支撑物的位置。

#### DANGER: ( Risk of personal injury)

These products are not designed or intended for use as a grab bar or support bar. Do not install any of these products in any area where they are likely to be used inadvertently as a grab bar or support bar.

### 安装尺寸

### ROUGH-IN DIMENSIONS

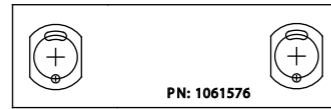


## 安装步骤

### 安装支架

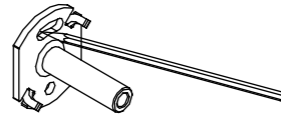
仅对于485T/486T/488T  
粘贴模板

如图所示，在墙面上找一个合适的位置粘贴模板，确保模板水平，保持圆孔在下。



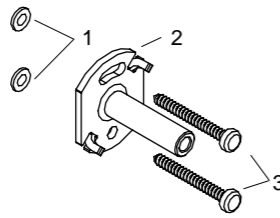
仅对于487T/490T/492T  
标记钻孔位置

在垂直面的墙壁，选择一个合适的位置。在墙壁上安装支架位置的记号(确保支架两直边铅锤)。



下列安装步骤适合于485T/  
486T/487T/488T/490T/492T

在墙上钻孔，以便于安装螺钉(3)及胀塞(1)。



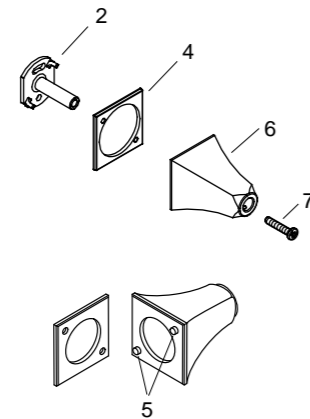
旋紧螺钉(3)，使支架(2)固定紧贴墙壁(保持支架的长孔在上，圆孔在下，并与胀塞相对)。

### 安装底座

1. 将装饰盖(4)和底座(6)通过销子(5)连接。  
2. 将装好的底座套在支架(2)上。  
3. 确保装有固定螺钉的面朝下放置。

4. 确保销子(5)与装饰盖上的孔正确啮合。

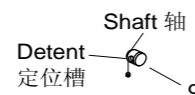
5. 将螺钉(7)拧入底座内并拧紧。



**注意：**安装时，一定让销子与装饰盖上的孔正确啮合。

安装单个底座的配件-毛巾环/卫生纸架/衣钩

1. 将圆柱头(9)的轴装入底座内。



## INSTALLATION

### Install the Bracket

Only For 485T/486T/488T  
Stick the Templet

Select a proper position on the wall to stick the templet, ensure the templet is level and keep the smaller hole down as shown.

Only For 487T/490T/492T  
Mark the Pilot Holes

Select a location on the vertical wall.

Mark bracket mounting hole locations on wall as shown (ensure the straight edges of the bracket is perpendicular down).

Following Installations Are For  
485T/486T/487T/488T/490T/492T

Drill holes in the finished wall as required, for the installation screws(3) and anchors(1).

Tighten screws(3) to secure bracket(2) to the finished wall (Orient the bracket with the large slotted mounting hole up and the smaller hole over the lower anchor).

### Install the Bonnet

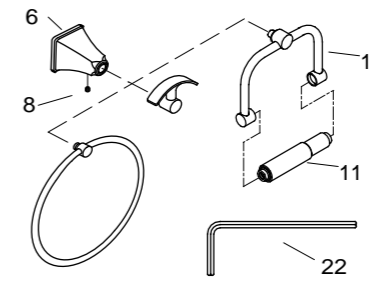
1. Position the escutcheon(s)(4), if included, onto the bonnet(s)(6).  
2. Slide the bonnet onto the bracket(2).  
3. Position the setscrew hole in the bonnet so the setscrew faces down.  
4. Make sure the bonnet pins(5) engage the indexing holes in the back of the escutcheon, if applicable.  
5. Insert a screw(7) into the bonnet and tighten.

**NOTE:** When installation, make sure the bonnet pins engage into the escutcheon holes.

Install the Single Bonnet  
Accessories-Towel Ring/Toilet  
Paper Holder/Robe Hook

1. Slide the shaft of the cylinder head (9) into the bonnet.

2. 确保圆柱头上带定位槽的面朝下放置。  
3. 用六角扳手(22)把固定螺钉(8)拧紧到圆柱头内。  
4. 根据需要把伸缩管(11)装入卫生纸架(10)内。

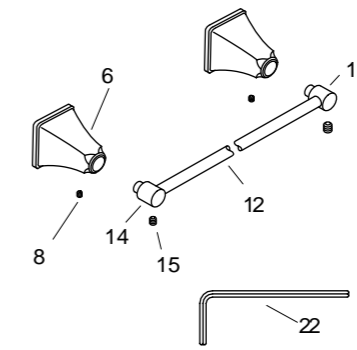


2. Position the cylinder head with the detent facing downward.  
3. Tighten the setscrew(8) into the cylinder head with a hex wrench(22).  
4. If needed, insert the tissue spindle (11) into the tissue holder assembly (10).

### 安装毛巾杆

1. 将毛巾杆(12)装入圆柱头(13)(14)内。

2. 用六角扳手(22)拧紧圆柱头内的螺钉(15)。  
3. 确保两圆柱头上带定位槽的面垂直向下放置。  
4. 将圆柱头(13)(14)分别装入两个底座(6)内。  
5. 用六角扳手(22)把底座内的固定螺钉(8)拧紧直至将圆柱头固定。



**注意：**不可将固定螺钉(15)拧得过紧，以免损坏毛巾杆。

### Install the Towel Bar

1. Insert the towel bar(12) into the cylinder head(13)(14).  
2. Use a hex wrench(22) to tighten the screw(15) in the cylinder head.  
3. The detent on both cylinder heads should face straight down.  
4. Insert the cylinder head(13) and (14) into each bonnet(6).  
5. Use a hex wrench(22) to tighten the setscrews(8) until the cylinder heads are secure against the bonnets.

**NOTE:** Do not overtighten the setscrews(15). Overtightening can damage the towel bar.

### 安装置物架

**警告：人身伤害和产品损坏。**

确保支架水平对称安装，且固定可靠。如果支架安装不正确，可能发生损坏玻璃的情况。

1. 分别将两个圆柱头(16)和(17)装入底座(6)内，使圆柱头上带有定位槽的面垂直向下安装。

2. 用六角扳手(22)将固定螺钉(8)不完全拧紧到圆柱头的定位槽内。

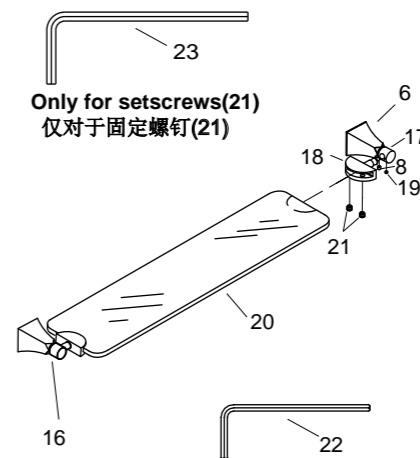
3. 将两个支架组件(18)分别装入两个圆柱头内。确保支架组件水平，螺钉孔在同一面且垂直向下。

4. 用六角扳手(22)将固定螺钉(19)不完全拧紧到支架组件的连杆内。

5. 将玻璃架放入支架组件的凹槽内。确保两个支架组件在玻璃架上居中对称。

6. 调整固定螺钉(8)和(19)，确保置物架水平。用六角扳手(22)拧紧固定螺钉(8)和(19)。

7. 确保支架组件在玻璃架上居中对称。用六角扳手(23)拧紧固定螺钉(21)，但



Only for setscrews(21)  
仅对于固定螺钉(21)

### Install the Glass Shelf

**WARNING: Risk of personal injury and product damage.**

Ensure the brackets are properly aligned and securely anchored. If the brackets are improperly mounted, damage to the glass may occur.

1. Insert the cylinder head(16) and (17) into each bonnet(6). The detent on both cylinder heads should face straight down.

2. Partially tighten the setscrew(8) into the detent of the cylinder head with a hex wrench(22).

3. Insert the stem of the bracket assembly(18) into the cylinder head. Ensure the brackets are level and the setscrew holes are on the same side, face down.

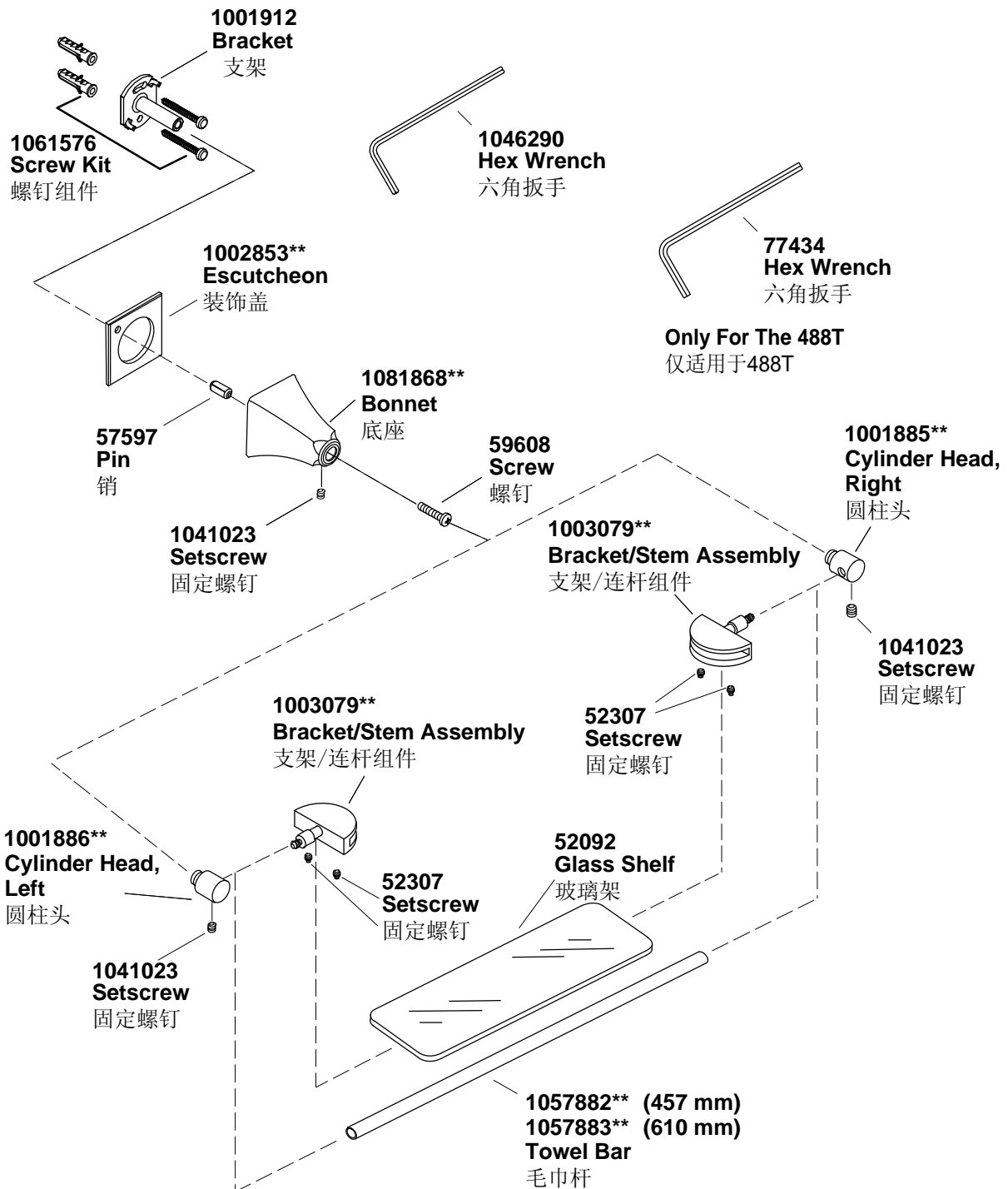
4. Partially tighten the setscrew(19) into the stem of the bracket with a hex wrench(22).

5. Slide the glass shelf(20) through the slot on the bracket.

6. Adjust the setscrews(8)(19) to ensure the glass shelf is level and tighten the setscrews(8)(19) with a hex wrench(22).

7. Ensure the slots are at the center of the glass shelf and tighten the

**485T** 18" 毛巾杆  
**486T** 24" 毛巾杆  
**488T** 置物架



\*\*订购时请说明颜色编号

\*\*Color code must be specified when ordering

487T

490T

492T

毛巾环

卫生纸架

衣钩

