

KOHLER®

科勒®厨卫经典

圣拉菲尔 SAN RAPHAEL™

安装说明书

INSTALLATION INSTRUCTIONS

气压助动连体座便器

PRESSURE LITE ONE-PIECE TOILET

K-3597

BEFORE YOU BEGIN

- Please read these instructions carefully to familiarize yourself with the required tools, materials, and installation sequences. Follow the sections that pertain to your particular installation. This will help you avoid costly mistakes. In addition to proper installation, read all operating and safety instructions.
- All information in these instructions is based upon the latest product information available at the time of publication. Kohler China reserves the right to make changes in product characteristics, packaging, or availability at any time without notice.
- These instructions contain important care, cleaning, and warranty information - **please leave instructions for the consumer.**

安装之前

- 请小心详阅本指引。以便熟悉所需工具、材料及安装程序。请遵照适用的章节来安装你的座便器，以避免由于安装不当而导致不必要的损失。除了有关正确的安装方法之外，还务请详阅所有操作及安全指引。
- 本指引所载之一切资料，均以印刷时所有之最新产品情况为基础，科勒中国保留权利随时更改产品特性、包装或供应情况，恕不另行通知。
- 本指引也包含了有关护理、清洁及保养等重要资料 - **请交予用户保存。**

ORDERING INFORMATION

SAN RAPHAEL™ Pressure Lite One-Piece ToiletK-3597
Includes French Curve Quiet-Close Toilet Seat.....K-4713

订购资料

圣拉菲尔气压助动连体座便器K-3597
含法弧型缓降座便器盖板K-4713

NOTES

- Observe all local plumbing and building codes.
- Shut off the water supply.
- Seat post holes are on 140mm (5-1/2") centers.
- 51mm (2") passageway.
- Water depth from the rim is 210mm (5-1/2") .
- Ensure that the new drain has the correct roughing-in dimension. This toilet has a 305mm (12") roughing-in dimension. **See Roughing-in.**
- Closet flange must be 305mm (12") on-center from wall.
- Carefully inspect the new fixture for any sign of damage.
- For new construction, refer to the dimensions in installation step for locating the shut-off valve.
- Fixture dimensions are nominal and conform to tolerances established by ASME Standards (A112.19.2-2003M).

注意

- 遵守当地所有给排水及建筑规定。
- 先关掉水源。
- 盖板孔中心间距140mm。
- 51mm排污通道。
- 座便器上表面距水面210mm。
- 请确保污水管的坑距尺寸正确。本型号坑距为305mm(请参阅尺寸图)。
- 座便器法兰盘中心必须距离墙壁305mm。
- 小心检验新的座便器是否有损坏的迹象。
- 若为新安装工程，请参看安装步骤中的尺寸标示以定位止水阀。
- 部件尺寸为标定值，误差符合美国ASME标准A112.19.2-2003M。

科勒(中国)投资有限公司
上海市闸北区江场三路158号 邮编: 200436

⚠ WARNING: Risk of personal injury or product damage: Handle vitreous china products very carefully. Vitreous china can break and chip if you overtighten bolts and nuts.

⚠ WARNING: Risk of external leakage. The fill valve nut has been factory-tightened to design specifications. If re-tightening is required, wrench tighten one turn past finger tight .

⚠ IMPORTANT! Make sure the supply pressure is a minimum of 35 psi (2.5 kg/cm²). The toilet will not function properly without minimum Pressure.

⚠ 警告：提防身体受伤或产品破裂。请小心处理釉面陶瓷产品。不可把螺母和螺栓上得过紧，以免产品破损或崩裂。

⚠ 警告：有向外渗漏之危险。注水阀螺母在出厂时已上紧以符合设计规格，如需再上紧，可用手上紧后再以板钳上紧一圈。

⚠ 重要！确保供水水压至少为35psi(2.5 kg/cm²)，座便器在低于最小压力下无法保证正常操作。

TOOLS AND MATERIALS REQUIRED (Not supplied)

- 254mm (10") adjustable wrench
- 305mm (12") pipe wrench
- Metal file (file cut)
- Tape measure
- Tubing cutter
- Level
- Hacksaw
- Putty knife
- Screwdriver
- Toilet gasket (wax seal)
- Toilet installation flange
- Toilet T-bolts (2), 8mm (5/16") diameter
- Toilet supply shut-off valve, 10mm(3/8") recommended

NOTICE: If the existing toilet does not have a supply shut-off valve below the tank, install one before installing the new toilet.

所需工具及材料（不随货供应）

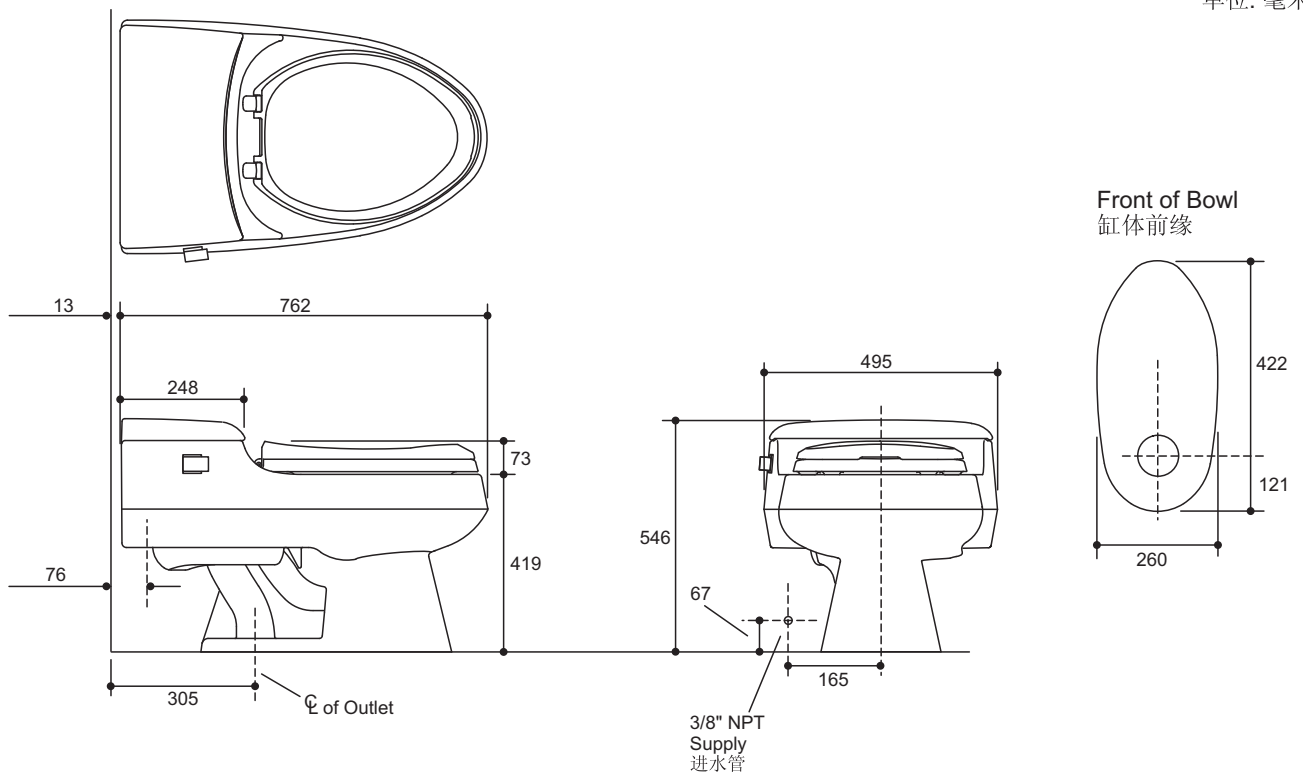
- 254mm 活动板钳
- 305mm 喉管板钳
- 锉刀
- 卷尺
- 切管刀
- 水平尺
- 钢锯
- 涂油灰刀
- 螺丝刀
- 座便器垫圈（蜡封）
- 安装座便器用之法兰盘
- 直径8mm的T型螺栓（2枚）
- 座便器供水管止水阀，以10mm为准

注意：如果现有座便器的水箱下方没有止水阀，须在安装新座便器前装妥止水阀。

ROUGHING-IN

尺寸图

Unit: mm
单位: 毫米

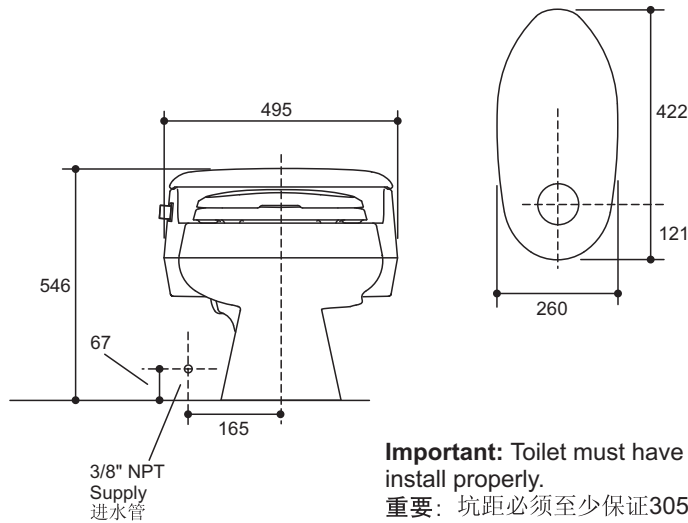


INSTALLATION

安装

1 Install or relocate the supply and outlet as necessary to conform to the roughing-in dimensions.

根据尺寸图安装进水管和下水管或将现有管道移位，务求与尺寸图一致。



2 Remove the Existing Toilet

CAUTION: Risk of hazardous gases. If the new toilet is not installed immediately, temporarily place a rag in the closet flange.

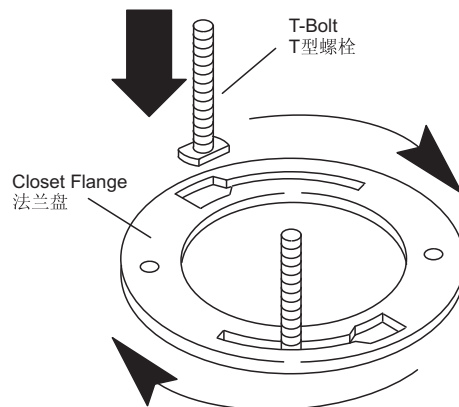
- Turn off the water supply.
- Flush the toilet.
- Sponge out all remaining water from the tank.
- Disconnect the supply shut-off valve, if present.
- Remove the old toilet.
- Remove the old wax seal from the floor with a putty knife.
- Replace the old T-bolts with the new 5/16" diameter T-bolts.



2 拆除现有的座便器

注意：小心有害气体。如果暂时不安装新的座便器，请用一些布片保护一下法兰。

- 关闭供水开关。
- 座便器冲水。
- 然后用海绵将水箱内剩余的水吸干。
- 拆除进水管止水阀（如果安装过的话）。
- 拆除现有的座便器。
- 使用油灰刀铲除现有的蜡封。
- 用新提供的8mm T型螺栓替代旧的T型螺栓。



3 Install the New Toilet

- Install or relocate the supply and outlet as necessary to conform to the roughing-in dimensions.
- Install a supply shut-off valve.
- Lay the toilet down onto a padded surface.
- From the bottom of the toilet, firmly press a new wax seal around the toilet outlet.
- Remove the temporary rag (if used) from the toilet flange hole.

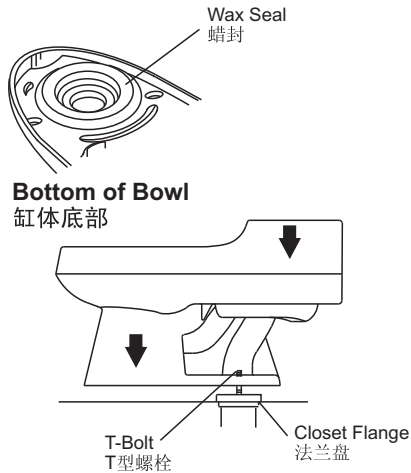
3 安装新的座便器

- 根据尺寸图安装进水管和下水管或将现有管道移位，务求与尺寸图一致。
- 安装进水管止水阀。
- 将座便器倒置在衬垫上。
- 从座便器底部将新的蜡封用力压在座便器下水口上。
- 从法兰盘上移除保护用的布片（如先前步骤中使用）。

- Align and lower the toilet over the flange and T-bolts.

IMPORTANT! Do not lift or rock the bowl after placement. If you break the watertight seal, you must install a new wax seal.

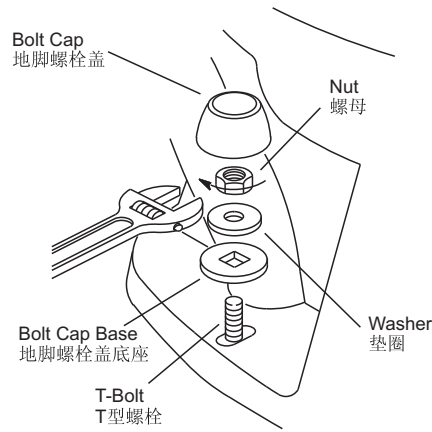
- Apply your full body weight around the toilet to set the seal.
- Place the bolt cap bases over the T-bolts in the "up" position as marked.
- Place the washers and nuts on the bolt cap bases and T-bolts.
- Carefully tighten the nuts.
- Attach the bolt caps to the bolt cap bases.



- 确保座便器弯管出口对中插入到蜡圈法兰盘组件中，将座便器压在法兰盘和T型螺栓上。

重要! 此时请勿抬起或晃动缸体。如果防水密封圈损坏，需要重新安装一个新的蜡封。

- 将全身重量向下压在座便器边缘上以固定封口。
- 如图所示将地脚螺栓盖底座套在T型螺栓上。
- 然后将垫圈和螺母套在地脚螺栓盖底座和T型螺栓上。
- 紧固螺母。
- 将地脚螺栓盖紧固到地脚螺栓盖底座上。

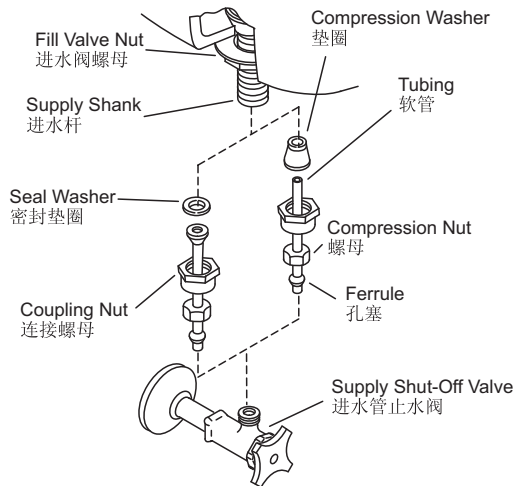


4 Complete the Installation

- Install the trip lever if one is not already installed.
- Connect the supply shut-off valve to the toilet supply shank.
- Open the supply shut-off valve slowly to check for leaks. If the connections have been properly assembled, a slight tightening of the nuts should stop leakage.
- Allow approximately one minute to bring the system to its operating pressure.
- Install the toilet seat according to the packed instructions.
- Carefully set the cover onto the tank.
- Flush and repressurize the toilet three times to stabilize the system.
- Flush the toilet several times and check all connections for leaks.
- Periodically check for leaks for several days following the installation.

4 完成安装

- 如果还未安装冲水把手，此时安装冲水把手。
- 将进水管止水阀连接到进水杆。
- 缓慢打开进水管止水阀，检查是否渗漏。如果连接处有渗漏，需再将螺母紧固一些。
- 停止一分钟左右的，等待系统恢复到正常的工作压力。
- 安装盖板说明书安装座便器盖板。
- 小心盖上水箱盖。
- 冲水三次，以便座便器调整压力，使整个系统恢复到平衡。
- 冲水数次，检查各连接处是否有渗漏。
- 每隔数天定期检查是否有渗漏。



Supply Shut-Off Valve Connection
进水管止水阀连接图

TROUBLESHOOTING CHART

SYMPTOMS	CORRECTIVE ACTION	PARTIAL SERVICE PARTS
1. Poor Flush	A. Clean under the bowl rim. B. Plunge the bowl, auger trap, and auger drain to clear blockage. C. Adjust the gap between the actuator and plunger arm to approximately 1/8" (3 mm). D. Fully open the supply stop. E. Clean the screen with a medium to hard bristle brush. Replace the screen if necessary. F. Refer to the installer/dealer for assistance.	<p>**Finish/color code required.</p>
2. No Flush	A. Fully open the supply stop. B. Tighten the nut. Turn the nut counterclockwise. C. Hook the plunger arm over the trip arm. D. Clean the screen. Retain the screen if necessary. E. Replace the inlet components.	
3. Bowl water continues to flow or tank fill water will not shut off.	A. Adjust gap between actuator and plunger arm to approximately 1/8" (3 mm). B. Repair or replace plunger arm (refer to installer/dealer for assistance). C. Replace the lower supply group.	
WARNING: Use only genuine parts as shown to avoid property damage.		

故障处理表

现象	处理措施	部分维修部件
1. 冲水效果不佳	A. 清洁缸体边缘下部区域。 B. 伸入缸体，存水弯管和排水以清除堵塞。 C. 调整制动装置和活塞臂之间的距离大约为3mm。 D. 完全开启水制动塞。 E. 使用如硬毛刷之类的介质清洗筛网，如果必要则更换筛网。 F. 请咨询安装人员/经销商获取帮助。	<p>**订购时请说明颜色/表面处理编号</p>
2. 无冲水	A. 完全打开角阀。 B. 旋松螺母。逆时针开启螺母。 C. 将活塞臂卡在冲水把手臂上。 D. 清理O型圈，如果有必要，进行更换。 E. 更换进水组件。	
3. 缸体水流持续流动或水箱注水持续不停	A. 调整制动装置和活塞臂之间的间距至大约3mm。 B. 修理或更换活塞臂。（请咨询安装人员/经销商获取帮助） C. 更换供水零件组。	
警告: 仅可使用如图所示的原装配件以防止产品损坏。		

IMPORTANT CONSUMER INFORMATION 用户须知

CONSUMER RESPONSIBILITIES

If you live in a hard water area, make certain that the holes in the toilet rim are kept clean to ensure proper bowl flushing. Toilet bowl cleaners should be used at least once a week. Use a long-handled brush to clean the rim holes, and to clean as far into the trap as possible to prevent mineral deposits from forming.

Most toilet bowl cleaners are not harmful to the vitreous china surface of the toilet bowl. Please follow the bowl cleaner manufacturer's instructions carefully.

Do not use abrasive cleaners or solvents.



WARNING: Risk of property or product damage. Do not use in-tank cleaners. Products containing chlorine (calcium hypochlorite) can seriously damage fittings in the tank. This damage can cause leakage and property damage.

Kohler Company shall not be responsible or liable for any damage to these tank fittings caused by the use of cleaners containing chlorine (calcium hypochlorite).

用户责任

如果你居住地方的水质是硬性，你必须保持冲水孔清洁，令座便器冲水正常。每星期应最少使用座便器清洁剂清洁一次，用长把手的刷子清洁冲水孔，并尽量伸入排污管洗刷，防止矿物质积聚。

大多数马桶清洁剂对座便器表面是无害的。请认真遵循马桶清洁剂制造商的指示来操作。

请勿使用腐蚀性清洁剂或溶剂。



警告：提防楼宇受损或损坏产品 请勿使用水箱内用清洁剂。含氯（次氯酸钙）的清洁剂会严重破坏水箱配件，从而引起渗漏，或对楼宇结构造成损坏。

科勒公司对此类因使用氯(次氯酸钙)而引致的水箱装置损毁，概不负责。

KOHLER®

科勒®厨卫经典

圣拉菲尔 SAN RAPHAEL™

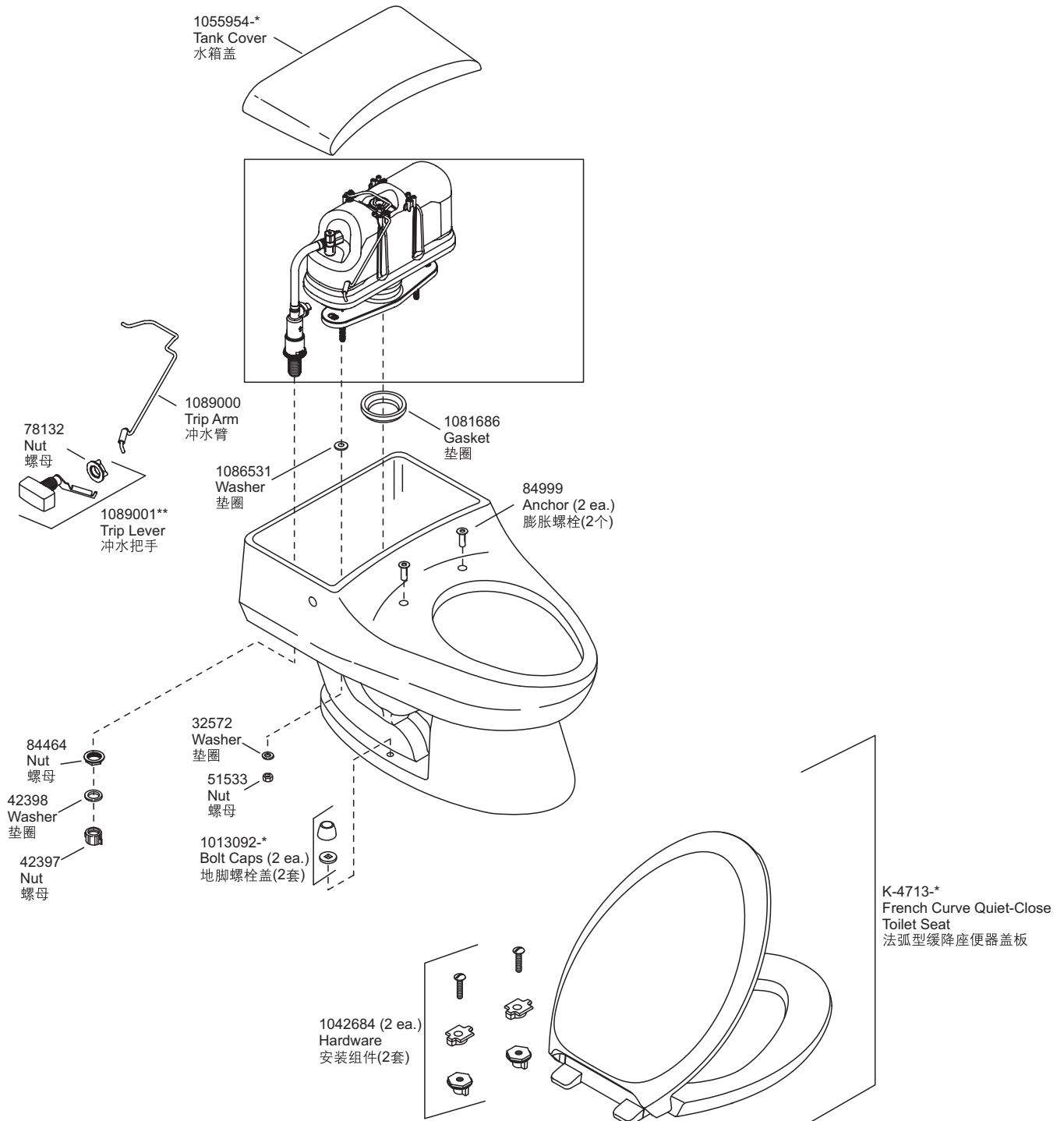
维修零件图

SERVICE PARTS PAGE

气压助动连体座便器

PRESSURE LITE ONE-PIECE TOILET

K-3597



*订购时请说明颜色编号

* Color code must be specified when ordering.