

BEFORE YOU BEGIN

安装之前

- Please read these instructions carefully to familiarize yourself with the required tools, materials, and installation sequences. Follow the sections that pertain to your particular installation. This will help you avoid costly mistakes. In addition to proper installation, read all operating and safety instructions.
- All information in these instructions is based upon the latest product information available at the time of publication. Kohler China reserves the right to make changes in product characteristics, packaging, or availability at any time without notice.
- These instructions contain important care, cleaning, and warranty information - **please leave instructions for the consumer.**

- 请小心详阅本指引。以便熟悉所需工具、材料及安装程序。请遵照适用的章节来安装你的座便器，以避免由于安装不当而导致不必要的损失。除了有关正确的安装方法之外，还务请详阅所有操作及安全指引。
- 本指引所载之一切资料，均以印刷时所有之最新产品情况为基础，科勒中国保留权利随时更改产品特性、包装或供应情况，恕不另行通知。
- 本指引也包含了有关护理、清洁及保养等重要资料 - 请交予用户保存。

ORDERING INFORMATION

CIMARRON™ Two-Piece Toilet.....	K-3499T-W
Includes Bowl	K-4285T-W
Includes Tank	K-4634T-W
Includes French Curve® Toilet Seat	K-4653T
CIMARRON™ Two-Piece Toilet.....	K-3499T-CW
Includes Bowl	K-4285T-W
Includes Tank	K-4634T-W
Includes French Curve® Quiet-close Toilet Seat.....	K-4713T
CIMARRON™ Two-Piece Toilet.....	K-3499T-SW
Includes Bowl	K-4285T-W
Includes Tank	K-4634T-W
Includes CACHET™ Quiet-close Toilet Seat	K-4636T-U

订购资料

希玛龙分体座便器.....	K-3499T-W
含缸体	K-4285T-W
含水箱	K-4634T-W
含法弧加长型座便器盖板	K-4653T
希玛龙分体座便器.....	K-3499T-CW
含缸体	K-4285T-W
含水箱	K-4634T-W
含法弧型缓降座便器盖板	K-4713T
希玛龙分体座便器.....	K-3499T-SW
含缸体	K-4285T-W
含水箱	K-4634T-W
含凯诗抗刮擦缓降座便器盖板	K-4636T-U

NOTES

- Observe all local plumbing and building codes.
- Shut off the water supply.
- Seat post holes are on 140mm (5-1/2") centers.
- Ensure that the new drain has the correct roughing-in dimension. This toilet has a 305mm roughing-in dimension. **See Roughing-in.**
- 4.8L water usage.
- Closet flange must be 305mm on-center from wall.
- Carefully inspect the new fixture for any sign of damage.
- For new construction, refer to the dimensions in installation step for locating the shut-off valve.
- Fixture dimensions are nominal and conform to tolerances established by ASME Standards (A112.19.2-2003).

注意

- 遵守当地所有给排水及建筑规定。
- 先关掉水源。
- 盖板孔中心间距140mm。
- 请确保污水管的坑距尺寸正确。本型号坑距为305mm (请参阅尺寸图)。
- 4.8L冲水量。
- 座便器法兰盘中心必须距离墙壁305mm。
- 小心检验新的座便器是否有损坏的迹象。
- 若为新安装工程，请参看安装步骤中的尺寸标示以定位止水阀。
- 部件尺寸为标定值，误差符合美国ASME标准(A112.19.2-2003)。

广东省佛山市三水区乐平镇
三水中心工业园区科勒大道 邮编：528137

WARNING: Risk of personal injury or product damage: Handle vitreous china products very carefully. Vitreous china can break and chip if you overtighten bolts and nuts.

警告: 提防身体受伤或产品破裂。请小心处理釉面陶瓷产品。不可把螺母和螺栓上得过紧, 以免产品破损或崩裂。

WARNING: Risk of external leakage. The fill valve nut has been factory-tightened to design specifications. If re-tightening is required, wrench tighten one turn past finger tight .

警告: 有向外渗漏之危险。注水阀螺母在出厂时已上紧以符合设计规格, 如需再上紧, 可用手上紧后再以板钳上紧一圈。

TOOLS AND MATERIALS REQUIRED (Not supplied)

所需工具及材料 (不随货供应)

- 254mm (10") adjustable wrench
- 305mm (12") pipe wrench
- Metal file (file cut)
- Tape measure
- Tubing cutter
- Level
- Hacksaw
- Putty knife
- Screwdriver
- Toilet gasket (wax seal)
- Toilet installation flange
- Toilet T-bolts (2), 8mm (5/16") diameter
- Toilet supply shut-off valve

- 254mm 活动板钳
- 305mm 喉管板钳
- 锉刀
- 卷尺
- 切管刀
- 水平尺
- 钢锯
- 涂油灰刀
- 螺丝刀
- 座便器垫圈 (蜡封)
- 安装座便器用之法兰盘
- 直径8mm的T型螺栓 (2枚)
- 座便器供水管止水阀

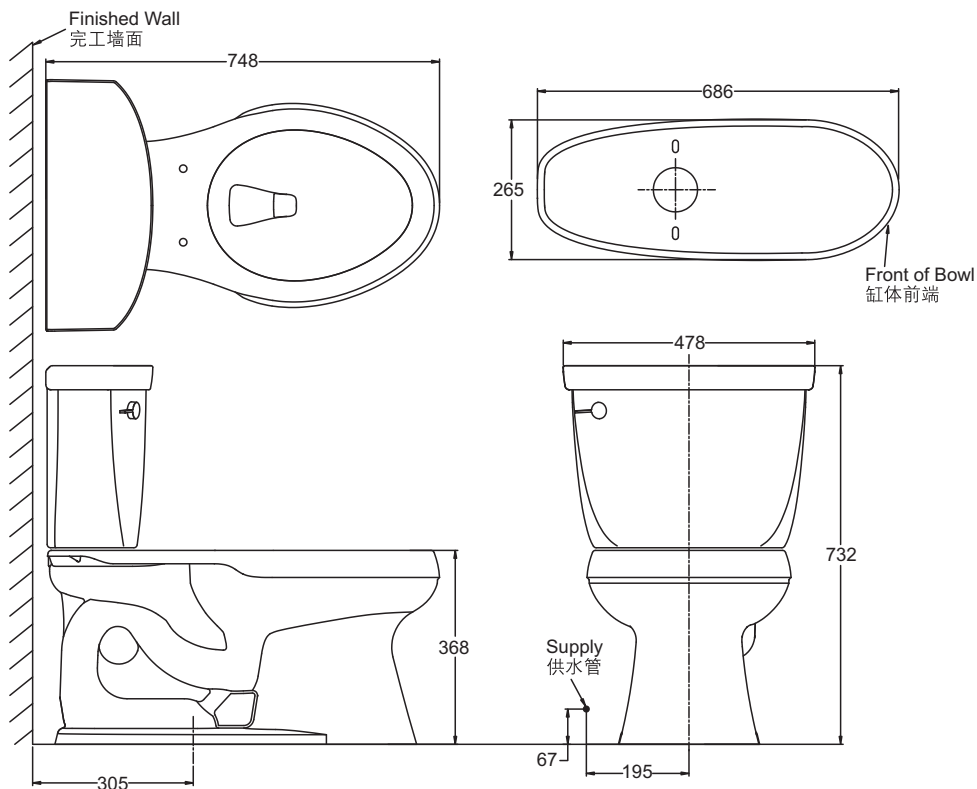
NOTICE: If the existing toilet does not have a supply shut-off valve below the tank, install one before installing the new toilet.

注意: 如果现有座便器的水箱下方没有止水阀, 须在安装新座便器前装妥止水阀。

ROUGHING-IN

尺寸图

Reference Value
参考值



Unit: mm
单位: 毫米

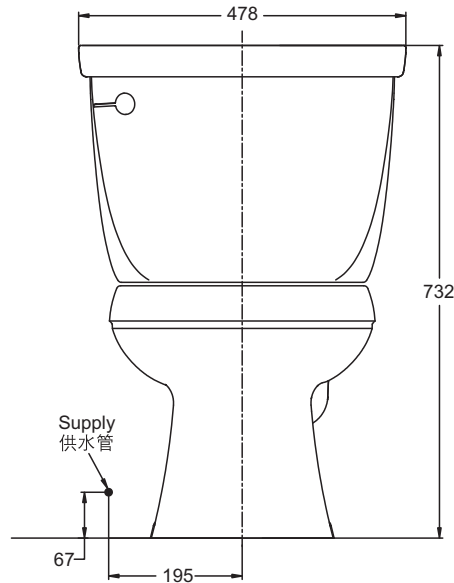
科勒公司保留随时变更图中标示尺寸的权利, 无需另行通知。
Kohler reserves the right to change marked dimensions without prior notice.

INSTALLATION

安装

1 Install or relocate the supply and outlet as necessary to conform to the roughing-in dimensions.

根据尺寸图安装进水管和下水管或将现有管道移位，请参照尺寸图。

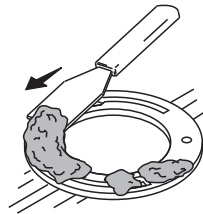


Important: Toilet must have 305mm minimum rough-in to install properly.

重要：坑距必须至少保证305mm才可顺利安装座便器。

2 If replacing a toilet, remove the old wax.

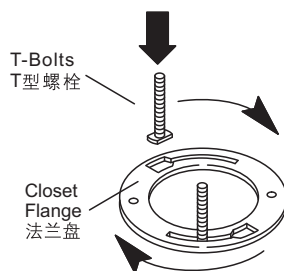
如需拆除现有座便器，请先刮除旧的蜡环。



3 Insert new T-bolts.

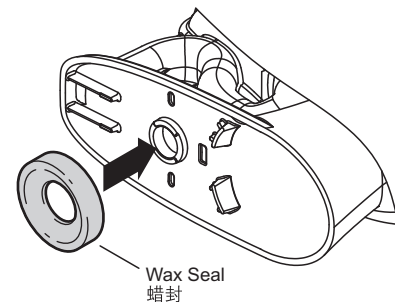
If installation of the new toilet is delayed, temporarily cover the closet flange hole with a rag.

插入新的T型螺栓。
如果需稍后安装新的座便器，则用一块抹布将法兰盘暂时堵住。



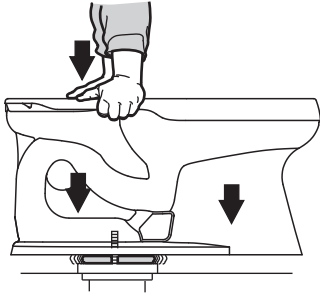
4 Install the wax seal.

将蜡封套在缸体底部。



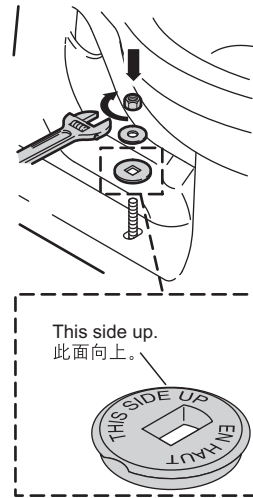
- 5 Apply weight evenly.
Do not move after placement!
Watertight seal may be broken!

均匀的将座便器下压。
 放置后请勿移动！
 否则会破坏防水层！



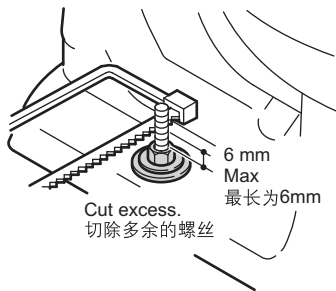
- 6 Install floor mounting kit as shown in the figure. Do not overtighten.

如图安装地脚安装配件。请勿过分旋紧。



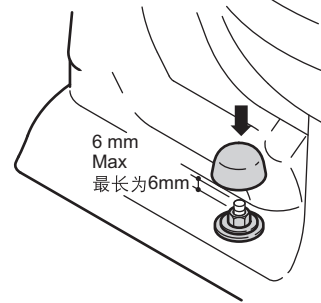
- 7 Cut excess.

切除多余的螺丝。



- 8 Fix bolt cap.

安装螺栓盖。



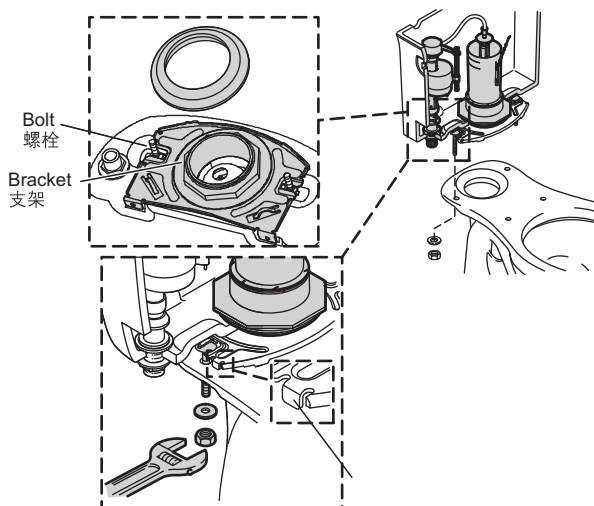
- 9 Install the tank

Install the bolts into the bracket and tighten evenly.

Do not overtighten!

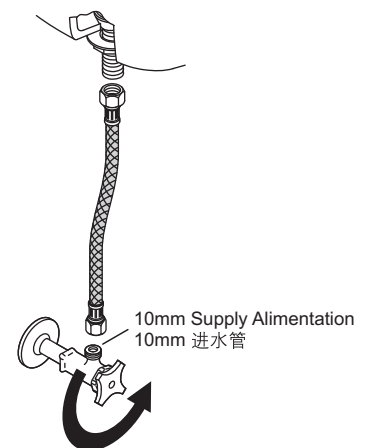
Mounting Bracket tabs must contact vitreous for proper gasket compression.

如图所示，将密封圈套入冲水阀。然后使用螺栓、垫圈和螺母将水箱固定到缸体上。



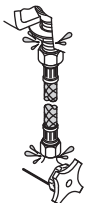
- 10 Connect supply and turn on the water.

连接供水管，打开水源。



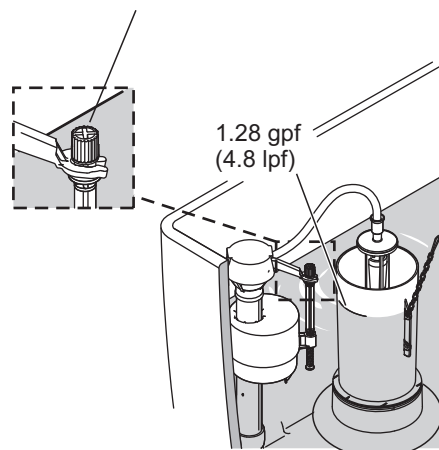
11 Flush several times and check for leaks.

冲水数次，检查进水管是否漏水。



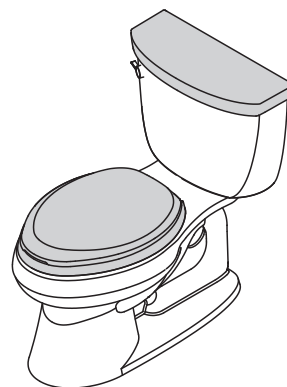
12 Turn here to adjust the water level if necessary.

如果有必要，请旋转图中所示部位调整水位。



13 Install the tank lid and the seat. Use the supplied 1/4"-20 seat bolts and washers. Periodically check for leaks for several days following the installation.

安装水箱盖和盖板。使用附带的1/4"-20盖板螺栓和垫圈。安装后定期检查漏水情况。



TROUBLESHOOTING CHART

SYMPTOMS	PROBABLE CAUSES
1. Poor Flush	<ul style="list-style-type: none"> A. Adjust the tank water level to match the waterline. B. Fully open the water supply shut-off valve. C. Clear obstructions from the trapway, jet, or bowl rim holes. D. Clear obstructions from the waste line.
2. No Flush	<ul style="list-style-type: none"> A. Reconnect the chain to the trip lever or flush valve. B. Adjust the chain assembly to remove excessive slack.
3. The fill valve turns on/off by itself without the toilet being flushed, or it runs allowing water to enter the tank.	<ul style="list-style-type: none"> A. Adjust the chain for proper slack so the seal is not held off the flush valve seat. B. Clean or replace the seal if it is worn, dirty, or misaligned with the flush valve seat, or if the flush valve seat is damaged. Replace the flush valve seal or flush valve. C. Clean the fill valve seat/seat washer of debris, or replace the piston/seat washer assembly. D. Remove the tank and tighten the flush valve nut if flush valve gasket is leaking. Do not overtighten. If leakage continues, replace the gasket. E. Replace the fill valve if the valve float sinks. F. Adjust the tank water level if it is too high.
4. Tank takes excessive time to fill.	<ul style="list-style-type: none"> A. Fully open the water supply shut-off valve. B. Clean the valve inlet, valve head, or supply line. Flush the lines.
5. There is excessive noise when the tank is filling.	<ul style="list-style-type: none"> A. Partially close the water supply shut-off valve if the water pressure to the toilet is too high. Check the toilet performance following any such adjustment. B. Remove dirt or obstructions from the valve head. Flush the lines.

IMPORTANT: Use only genuine Kohler parts as shown to avoid property damage.

故障处理表

现象	处理措施
1. 冲水效果不佳。	A. 调节水箱水位至水位线。 B. 完全开启供水管止水阀。 C. 清除存水弯，喷头和缸体冲水孔内的堵塞物。 D. 清除污水管内的堵塞物。
2. 无冲水。	A. 重新连接冲水链至冲水把手或冲水阀。 B. 调节冲水链组件防止过松。
3. 未注水时注水阀自行开/关，或注水阀运转不停，水箱注水不停。	A. 调节冲水链至适当松紧度使垫圈不离开冲水阀座。 B. 如果垫圈磨损，变脏或未对准冲水阀座，或者冲水阀破损时，更换冲水阀密封圈或冲水阀。 C. 清除注水阀座以及垫圈阀座中的脏物，或更换活塞/阀座垫圈组件。 D. 如果冲水阀垫圈漏水，则拆下水箱，拧紧冲水阀螺母。切忌过紧。如仍发生漏水现象，则更换垫圈。 E. 如阀门入水口下沉，则更换注水阀。 F. 如果水箱水位太高，则相应作出调整。
4. 水箱注水需时过长。	A. 完全开启供水管止水阀。 B. 清洁注水阀进水口，阀帽或供水管。冲洗供水管。
5. 水箱注水时噪音过大。	A. 如果座便器内水压过高，则关小供水管止水阀。做过此类调节后，检查座便器的使用状况。 B. 清除阀帽内的脏物或堵塞物。冲洗供水管。

重要： 仅可使用图中所示的科勒公司原装配件以防产品损坏。

IMPORTANT CONSUMER INFORMATION 用户须知

CONSUMER RESPONSIBILITIES

If you live in a hard water area, make certain that the holes in the toilet rim are kept clean to ensure proper bowl flushing. Toilet bowl cleaners should be used at least once a week. Use a long-handled brush to clean the rim holes, and to clean as far into the trap as possible to prevent mineral deposits from forming.

Most toilet bowl cleaners are not harmful to the vitreous china surface of the toilet bowl. Please follow the bowl cleaner manufacturer's instructions carefully.

Do not use abrasive cleaners or solvents.



WARNING: Risk of property or product damage.
Do not use in-tank cleaners. Products containing chlorine (calcium hypochlorite) can seriously damage fittings in the tank. This damage can cause leakage and property damage.

Kohler Company shall not be responsible or liable for any damage to these tank fittings caused by the use of cleaners containing chlorine (calcium hypochlorite).



CAUTION: Don't use any cement while installing the toilet. Heat expansion of the toilet may damage the feet of the toilet. Kohler will not be responsible for any damage because of using cement.



WARNING: Risk of product damage.
Do not throw into the toilet what is easy to block it, such as newspaper, paper pilch, sanitary towel. Do not bump the vitreous china with great force to prevent it from damaging and leaking.
Do not use the toilet in the water below 0°C.

用户责任

如果你居住地方的水质是硬性，你必须保持冲水孔清洁，令座便器冲水正常。每星期应最少使用座便器清洁剂清洁一次，用长把手的刷子清洁冲水孔，并尽量伸入排污管洗刷，防止矿物质积聚。

大多数马桶清洁剂对座便器表面是无害的。请认真遵循马桶清洁剂制造商的指示来操作。

请勿使用腐蚀性清洁剂或溶剂。



警告： 提防楼宇受损或损坏产品。请勿使用水箱内用清洁剂。含氯（次氯酸钙）的清洁剂会严重破坏水箱配件，从而引起渗漏，或对楼宇结构造成损坏。

科勒公司对此类因使用氯(次氯酸钙)而引致的水箱装置损毁，概不负责。



警告： 在安装本座便器时切勿使用任何水泥。因为水泥的热膨胀可能使座便器的脚部挤破或损坏。科勒对所有因为水泥安装而引起的座便器破裂恕不负责。



警告： 提防损坏产品。
请不要向便器内冲入新闻纸、纸尿裤、妇用卫生巾等容易堵塞的物品。
请不要用重力撞击陶瓷，以防止破损漏水。

不要在0°C以下水的环境中使用。