

BEFORE YOU BEGIN

- Please read these instructions carefully to familiarize yourself with the required tools, materials, and installation sequences. Follow the sections that pertain to your particular installation. This will help you avoid costly mistakes. In addition to proper installation, read all operating and safety instructions.
- All information in these instructions is based upon the latest product information available at the time of publication. Kohler China Ltd. reserves the right to make changes in product characteristics, packaging, or availability at any time without notice.
- These instructions contain important care, cleaning, and warranty information-**please leave instructions for the consumer.**

安装之前

- 请小心详阅本指引，以便熟悉所需工具、物料及安装程序。请遵照适用的章节来安装本产品，以免安装失当导致不必要的损失。除了有关正确的安装方法之外，还务请详阅所有操作及安全指引。
- 本指引所载之一切资料，均以印刷时所有之最新产品情况为基础，科勒中国保留权利随时更改产品特性、包装或供应情况，恕不另行通知。
- 本指引也包含了有关保养、清洁及担保等重要资料-请交予用户保存。

ORDERING INFORMATION

| | |
|-----------------------|------------|
| FREELANCE Toilet..... | K-17509T |
| Includes Seat..... | K-4707T |
| Includes Bowl..... | K-17507T |
| Includes Tank..... | K-17508T |
| FREELANCE Toilet..... | K-17509T-S |
| Includes Seat..... | K-4735T |
| Includes Bowl..... | K-17507T |
| Includes Tank..... | K-17508T |

订购资料

| | |
|---------------|------------|
| 费丽兰座便器组合..... | K-17509T |
| 包括盖板..... | K-4707T |
| 包括座便器..... | K-17507T |
| 包括水箱..... | K-17508T |
| 费丽兰座便器组合..... | K-17509T-S |
| 包括盖板..... | K-4735T |
| 包括座便器..... | K-17507T |
| 包括水箱..... | K-17508T |

NOTES

- Observe all local plumbing and building codes.
- Shut off the water supply.
- Seat post holes are on 163mm centers.
- Passageways is 60mm (2-3/8").
- Water depth from rim is 244mm (9.62")
- Ensure that the new drain and shut-off valve have the correct roughing-in dimensions. See Fig.#1.
- Be very careful while working with vitreous china products. Vitreous china can break or chip if the bolts or nuts are overtightened, or if carelessly handled.
- Carefully inspect the new fixture for any sign of damage.
- Fixture dimensions are nominal and conform to tolerances established by ASME Standards (A112. 19.2-2003).

注意

- 遵守当地所有给排水及建筑规定。
- 先关掉水源。
- 盖板孔中心间距163mm。
- 排污通道：60mm（2-3/8"）。
- 座便器上表面距水面：244mm（9.62"）。
- 请确保新的排水坑和止水阀有正确的安装尺寸。参阅图1。
- 请小心处理釉面陶瓷制品，因其容易破损和崩缺，故不可把螺栓及螺母上得过紧，且须小心轻放。
- 小心检验新的座便器是否有损坏的迹象。
- 部件尺寸为公称尺寸，误差符合美国机械工程师学会标准 ASME（A112. 19.2-2003）。

TOOLS AND MATERIALS REQUIRED (Not supplied)

- 254mm adjustable wrench
- Metal file (file cut)
- Tape measure
- tubing cutter
- Level
- Hacksaw
- Putty knife
- Screwdriver
- Straight pipe coupling
- Connection packing
- Toilet supply shut-off valve, 10mm (3/8") recommended

WARNING: Risk of external leakage: The fill valve nut has been factory-tightened, wrench tighten 1/4 turn past finger tight.

NOTICE: If no shut-off valve exists, install a shut-off valve below the tank before installing the new toilet.

Flexible hose are recommended to connect the supply line to the fill valve. If you use a rigid connection, take care not to apply side forces to the bottom of the fill valve.

所需工具及材料 (不随货供应)

- 254mm活动板钳
- 锉刀
- 卷尺
- 切管刀
- 水平尺
- 钢锯
- 涂油灰刀
- 螺丝刀
- 直管联结装置
- 联结衬垫
- 座便器供水管止水阀，以10mm(3/8")为佳

警告：有向外渗漏之危险。 进水阀螺母在出厂时已上紧了符合设计规格，如需再上紧，可用手指拧紧后再以板钳上紧1/4圈。

注意：如果现有座便器的水箱下方没有止水阀，须在安装新座便器前装妥止水阀。

我们建议使用软管来连接供水管与座便器进水阀。如果您使用硬管连接的话，请注意硬管必须与座便器进水阀口完全吻合，以免强行连接日后会损坏接口。

ROUGHING-IN

尺寸图

UNIT: mm
单位: 毫米

K-17509T

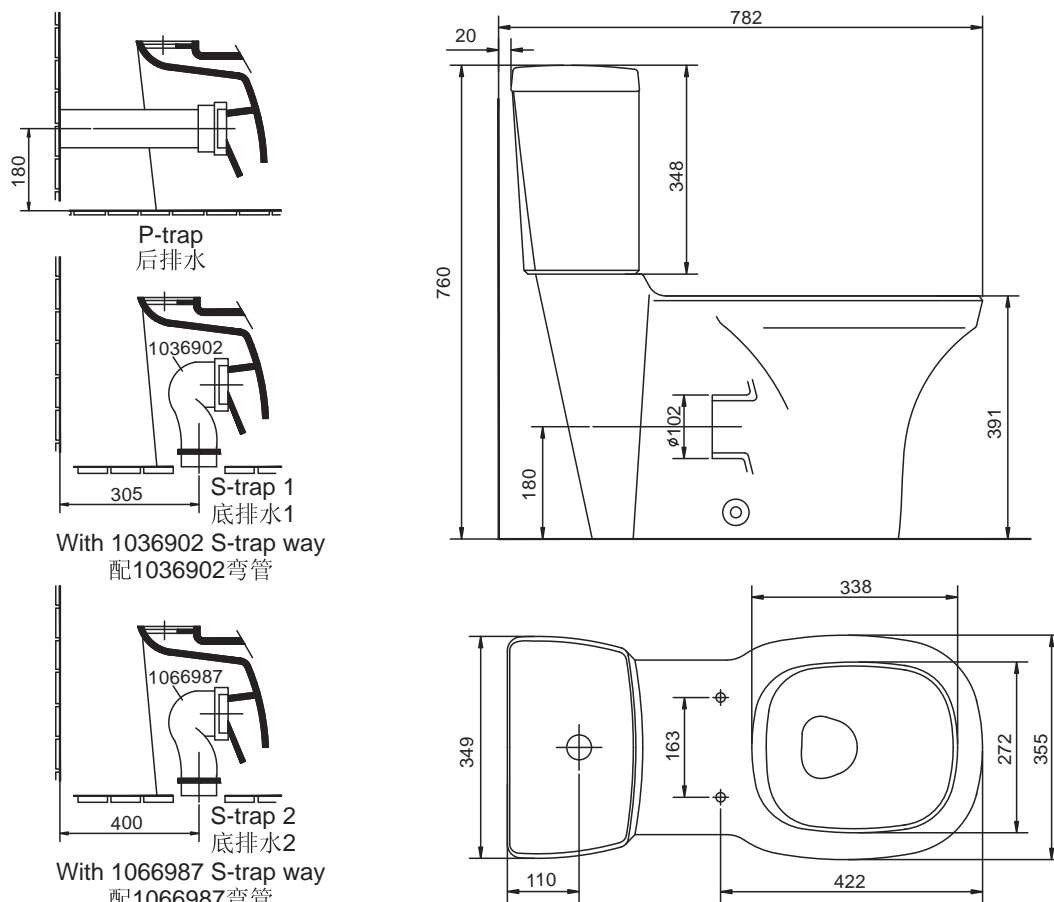


Fig. #1
图1

INSTALLATION

安装

1. REMOVE EXISTING TOILET

Turn off water supply. flush the toilet and use a sponge to remove the remaining water from the tank and bowl. Disconnect the supply shut-off valve (if present) and remove the old tank and bowl.

1. 拆除旧座便器

关掉供水源，给座便器冲水，用海绵吸去座便器内的剩余水份，除下供水管止水阀（如果有），移开旧水箱和座便器。

2. ASSEMBLE TANK BOLTS&WASHERS

Slip bolt heads into mounting plate on bottom of tank. Place large foam washer on base of flush valve. **See Fig. #2a.** Place tank on bowl and attach with nuts and washers from under bowl. **See Fig.#2b.**

2. 安装水箱螺栓及垫圈

将螺栓头移向水箱下面的安装板狭孔处，在冲水阀的底部放好大的泡沫垫圈。参阅图2a 将水箱放在座便器上，并将座便器下方的螺帽拧紧以将其安装好。参阅图2b

NOTE: Do not use white cement or high lime content coments to install this toilet. The expansion of cement due to a rise in temperature may make the toilet crack or cause damage. Kohler is not responsible for any damage caused by installation with the use of cement.

注意：在安装本座便器时切勿使用白水泥或高石灰含量之水泥，因为水泥的热膨胀可能使座便器的脚部挤破或损坏。科勒对所有因水泥安装而且引起的座便器破裂恕不负责。

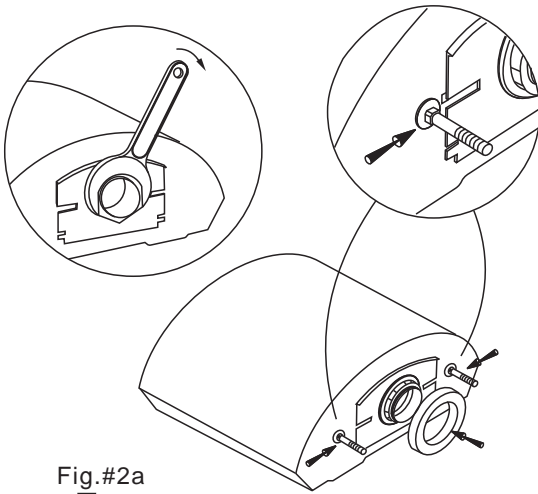


Fig.#2a
图2a

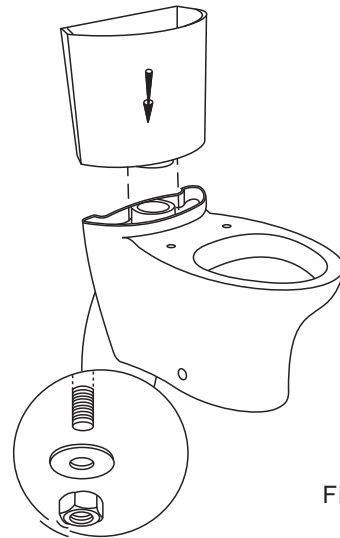


Fig.#2b
图2b

3. Select P-trap or S-trap to install your toilet according to the drain and shut-off valve's Roughing-in dimensions.

3. 根据您现场的排水管及止水阀的安装尺寸，选择后排水或底排水安装座便器。

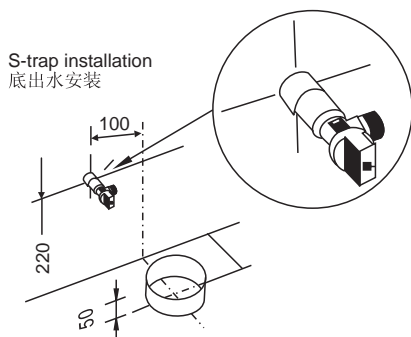
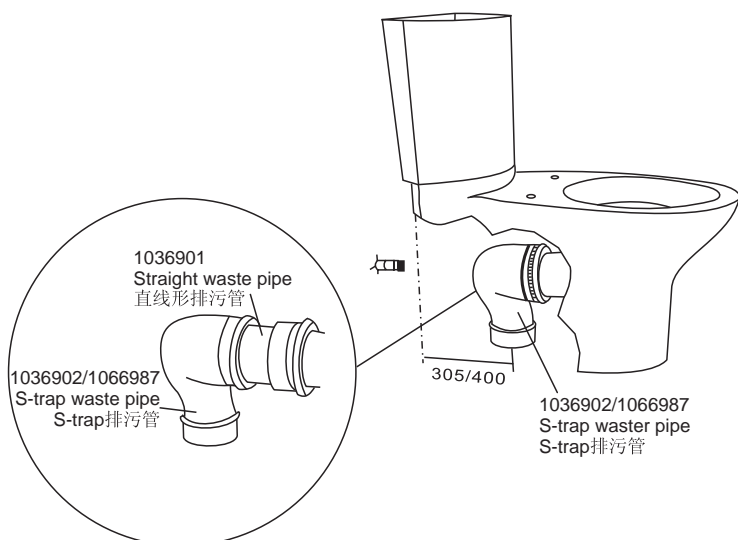
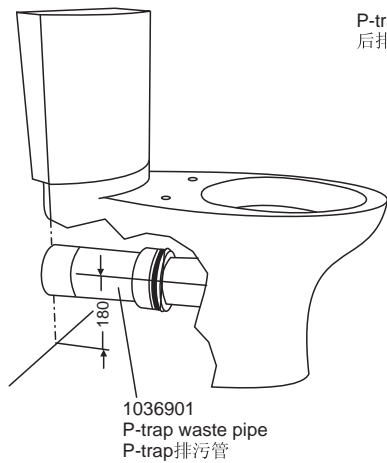


Fig.#3a
图3a





P-trap installation
后排水

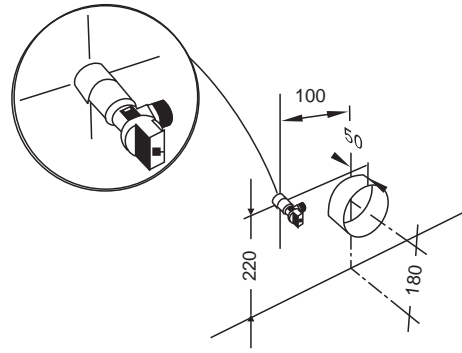
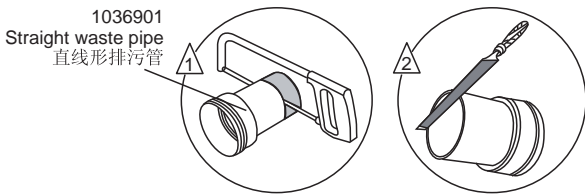


Fig.#3b
图3b



⚠ If the distance between S-trap waste pipe and the wall exceeds 305mm, you may cut the straight waste pipe (1036901) to the actual size you need due to the distance.

⚠ Use a rasp to smooth edges to prepare pipe for connecting.

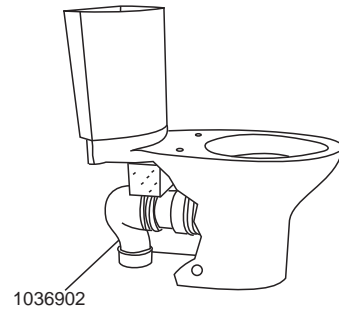


Fig.#3c
图3c

⚠ 如果安装后的坑距大于305mm，则根据实际情况切割直管(1036901)以达到所需尺寸。

⚠ 用锉刀将排污管口磨平，以备连接。

4. INSTALL THE TOILET & CONNECT WATER SUPPLY

Place the toilet in its final location. Use plastic drill guide and 7mm drill bit to drill floor mounting holes for installation over concrete. Use 4mm to 4.5mm drill for wood floor installation. See Fig.#4a.

4.安装座便器及联接供水阀

将座便器放在最终安装位置上。用塑料导钻及7mm的钻头在水泥地上钻地板安装孔。如果是木地板，使用4-4.5mm的钻头。参阅图4a

Notes:

B line is the distance of bracket after installation to make sure that the bracket is in the correct position.

注意:

B线是安装后支架的外缘距离，以确保支架在正确位置。

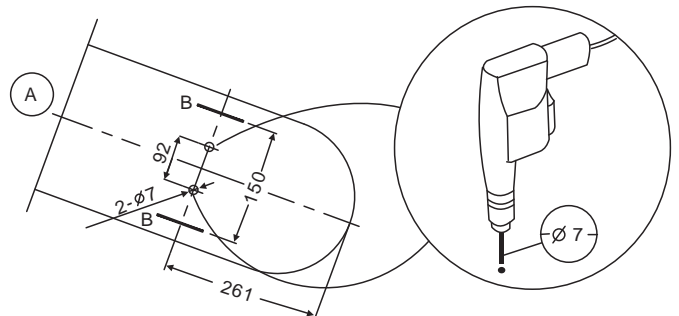
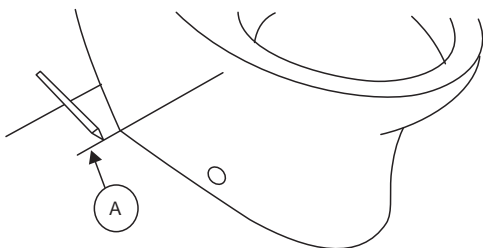


Fig. #4a
图4a

⚠️ Connect fill valve to water supply with hose only. And fix toilet through floor bolts.

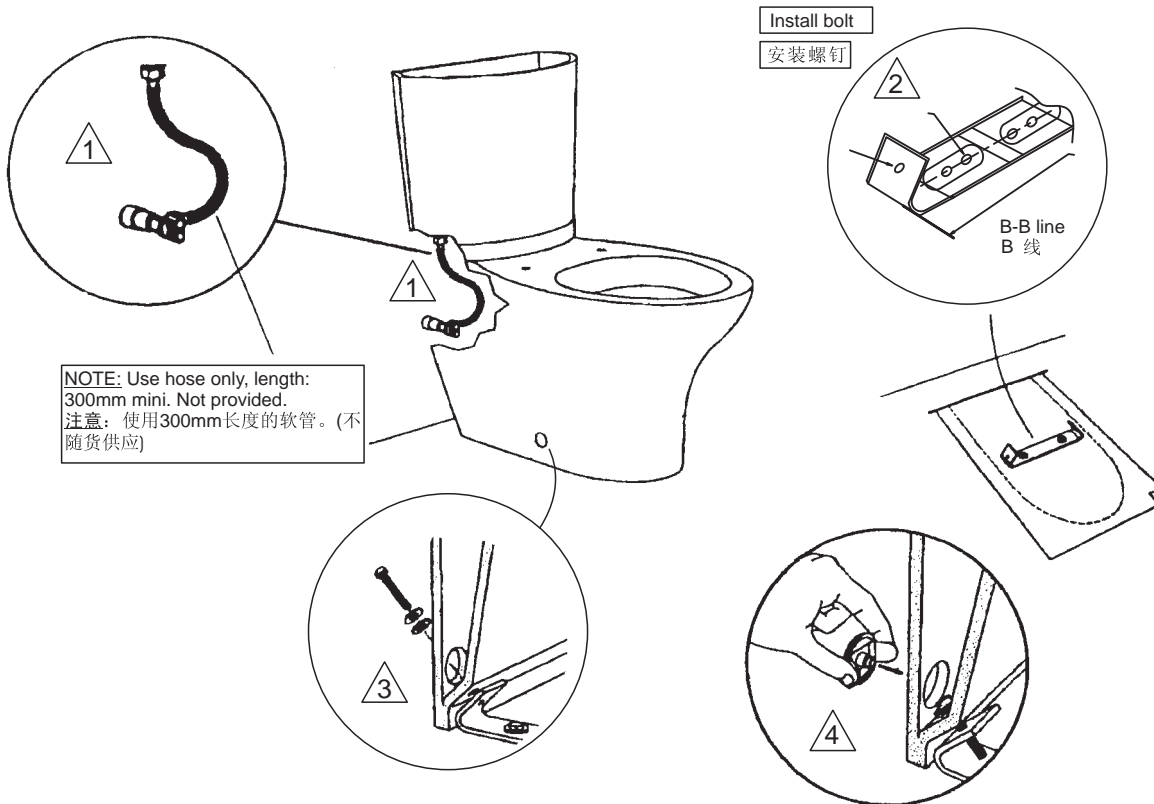
NOTE: Do not use white cement or high lime content cements to install this toilet. The expansion of cement due to a rise in temperature may make the toilet crack or cause damage. Kohler is not responsible for any damage caused by installation with the use of cement.

⚠️ Connect mounting bracket to floor using the proper hardware.

⚠️ 通过软管连接进水阀与供水阀。并使用地脚螺栓将座便器固定在地板上。

注意：在安装本座便器时切勿使用白水泥或高石灰含量之水泥，因为水泥的热膨胀可能使座便器的脚部挤破或损坏。科勒对所有因水泥安装而且引起的座便器破裂恕不负责。

⚠️ 使用适当的五金配件将安装支架固定到地面上。



⚠️ ⚠️ Install anchors and caps.

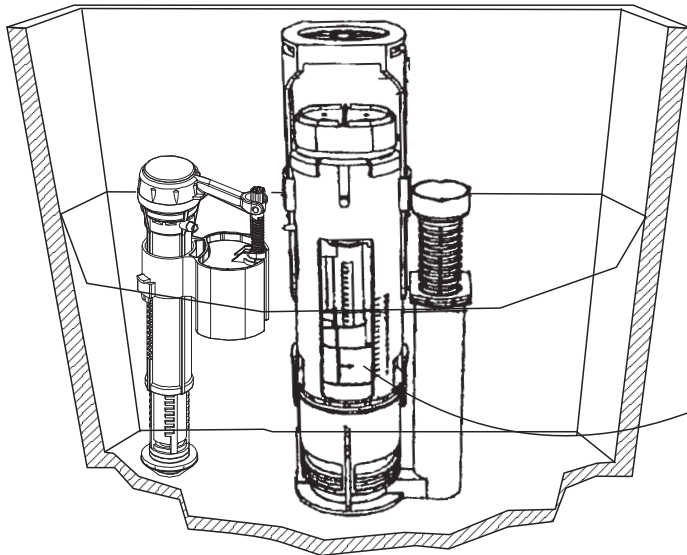
⚠️ **WARNING:** Do not overtighten floor bolts, as damage to the vitreous can occur.

⚠️ ⚠️ 安装塑料膨胀杆及帽。

⚠️ **警告：** 不要将地板螺栓上得太紧，否则会导致座便器的损坏。

5. CHECK WATER LEVEL

Turn on water supply check for leaks. If necessary, adjust black float adjustment clip, and sliding float up or down on metal float rod until water level at marked water line **5A**.



5. 检查水位情况

打开供水开关。检查是否有漏水。必要时可调节在灰色阀门上的黑浮球，捏住浮球的调节杆，上下拉动金属浮球杆，直至水位处于水位标识线上。见 **5A**。

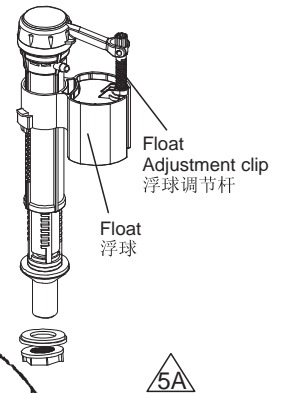


Fig. #5
图5

Make sure the arrow on the green float on the white flush valve is secure and pointing to #2. (Fig. **5B**)

确保白色冲水阀的绿色浮球上的箭头是固定的并指向标识2的线位上。(见 **5B**)

6. ADJUST OVERFLOW HEIGHT (if necessary)

Adjust overflow tube so that the top is 20mm above the waterline. Push locking mechanism to the side and adjust tube height. Push locking mechanism back into position to lock tube height. See Fig.#6.

6. 调节溢流高度（必要时）

调节溢流管以使其顶部高过水线20mm。将锁定机构推向一边来调节溢流管高度。将锁定机构推回原来的位置来锁定溢流管高度。参阅图6

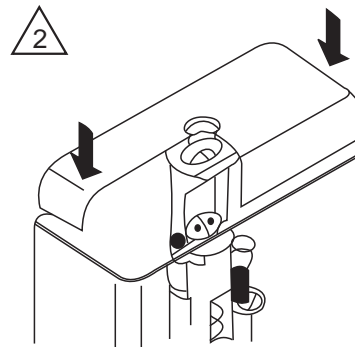
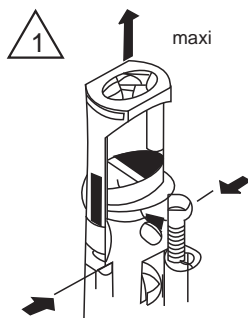


Fig. #6
图6

7. CONNECT PUSH BUTTON

Put large flange through hole in lid. Screw retaining ring onto flange. Turn the screw inside the push button flange to secure tank lid to flush valve assembly. Make certain that the flush valve assembly is adjusted high enough that the button touches the assembly. See Fig. 6. Put green and black push rods into corresponding holes and trim flush with the top of the flange. See Fig. 7. Install flush buttons. See Fig. 8.

7. 联结按钮

将大法兰盘放在水箱盖的孔上。将支撑环拧进法兰盘内。拧紧按钮法兰盘的螺丝钉以固定水箱盖与冲水阀组件。确定冲水阀组件安装得足够高，以使得按钮可与组件相接触。参阅图 6。将绿色及黑色的压棒通过法兰盘的顶部插入相应的孔内。参阅图 7。安装按钮。参看图 8。

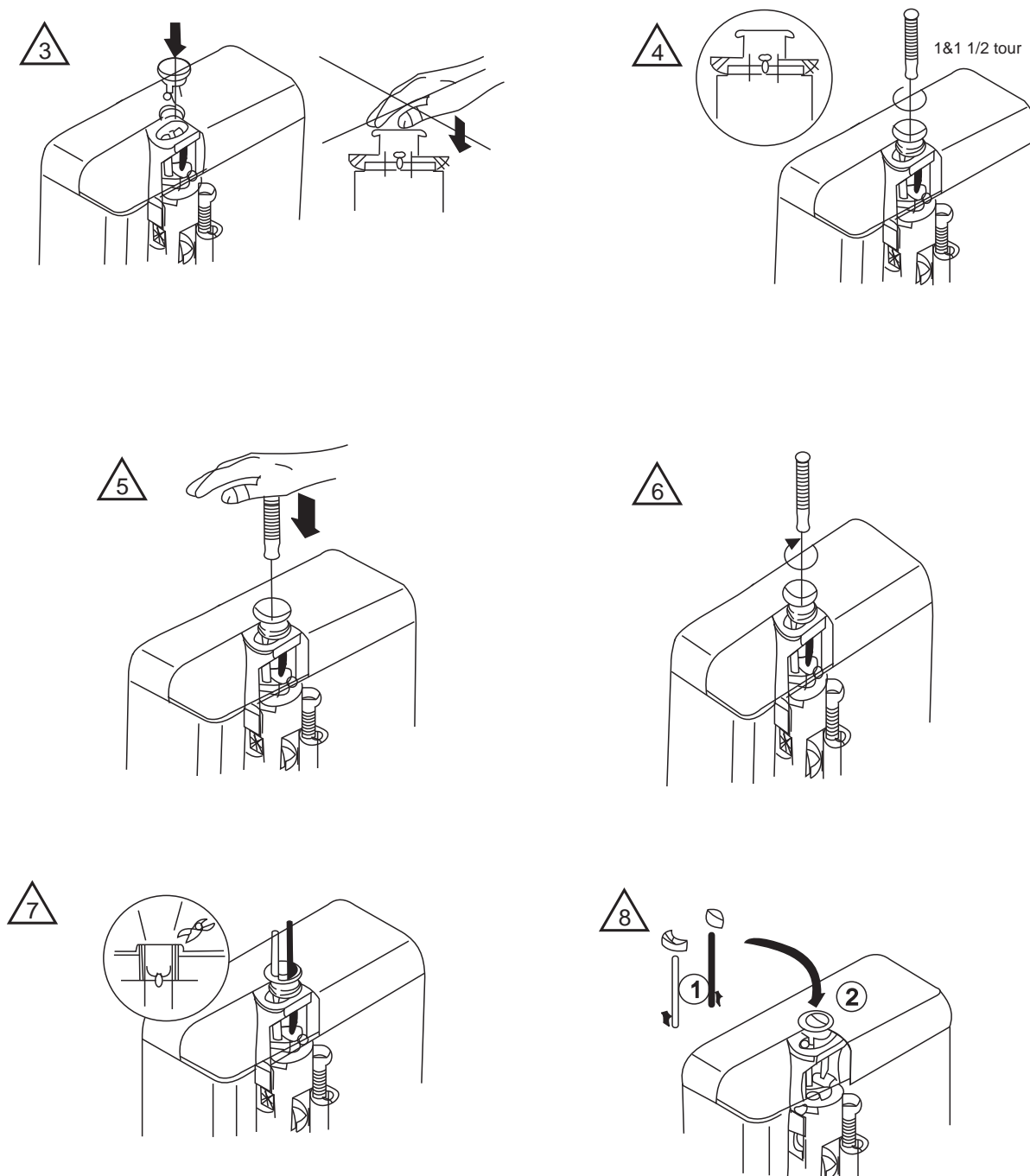


Fig. #7 图7

TROUBLESHOOTING CHART

| SYMPTOMS | PROBABLE CAUSES | CORRECTIVE ACTION |
|---|---|--|
| 1. Float valve turns on/off by itself without toilet being flushed. | A. Flush valve seal worn, dirty or damaged. | A. Inspect, clean and, if necessary replace seal. |
| 2. Float valve continues to run, allowing water to enter tank. | A. Float valve seal (located under float valve cap) may be cracked or split. B. Tank water level set above overflow level. | A. Replace seal. B. During fill cycle, hold float under water a few seconds to allow it to fill with water ballast. Adjust float by squeezing float adjustment clip, and sliding float up or down on float rod until water level is at marked water line. |
| 3. Incorrect water level height. | A. Float height incorrect. | A. Adjust float by squeezing float adjustment clip, and sliding float up or down on float rod until water level is at marked water line. |
| 4. Long or noisy tank fill cycle. | A. Plugged valve inlet or supply line. | A. Perform corrective action 2.A |
| 5. Poor flush. | A. Water usage is too low. B. Trapway obstructed. C. Soil pipe or vent is obstructed. D. Supply shut-off valve not fully open. | A. Adjust the water tank level. B. Unclog trapway. C. Clear obstruction from soil pipe or vent. D. Open supply shut-off valve. |
| 6. Toilet overflows. | A. Toilet trapway is obstructed. B. Soil pipe or vent is obstructed. | A. Use plunger to unclog. B. Clear obstruction from soil pipe or vent pipe. |

故障处理表

| 现象 | 原因 | 处理措施 |
|---------------------|---|--|
| 1. 未冲水浮球阀已自行开/关 | A. 冲水阀密封件已磨损, 肮脏或损坏了。 | A. 检查, 清洁或必要时更换密封件。 |
| 2. 浮球阀运转不停, 水不断溢入水箱 | A. 浮球阀密封圈(在浮球阀帽下)可能已破裂。 B. 水箱的水位高度高于溢水线。 | A. 更换密封圈。 B. 在水箱注水时, 把浮球按在水中数秒, 使其注够水份稳定下来, 要调整浮球高度, 只需捏住其在浮球杆上的调整器上下拉动, 直至水位处于水位线。 |
| 3. 水位线高度不正确 | A. 浮球高度不正确。 | A. 要调整浮球高度, 只需捏住其在浮球杯上的调整器上下拉动, 直至水位处于水位线上。 |
| 4. 水箱注水需时过长或噪音过大 | A. 阀门入水口或供水管堵塞。 | A. 按2A措施处理。 |
| 5. 冲水不灵 | A. 用水量太少。 B. 存水弯堵塞。 C. 污水管或通道堵塞。 D. 供水管止水阀未完全打开。 | A. 调校水箱水位。 B. 通开冲水道及清洁喉面孔。 C. 清除污水管或通道的堵塞物。 D. 打开供水管止水阀。 |
| 6. 厕所溢水 | A. 存水弯堵塞。 B. 污水管或通道堵塞。 | A. 用搵子通开堵塞物。 B. 清除污水管或通道的堵塞物。 |

CONSUMER RESPONSIBILITIES

If you live in a hard water area, make certain that the holes in the toilet rim are kept clean to ensure proper bowl flushing. Toilet bowl cleaners should be used at least once a week. Use a long-handled brush to clean the rim holes, and to clean as far into the trap as possible to prevent mineral deposits from forming.

Most toilet bowl cleaners are not harmful to the vitreous china surface of the toilet bowl. Please follow the bowl cleaner manufacturer's instructions carefully.

Do not use abrasive cleaners or solvents.



WARNING: Risk of property or product damage. Do not use in-tank cleaners. Products containing chlorine (calcium hypochlorite) can seriously damage fittings in the tank. This damage can cause leakage and property damage.

Kohler Company shall not be responsible or liable for any damage to these tank fittings caused by the use of cleaners containing chlorine (calcium hypochlorite).

用户责任

如果你居住地方的水质是硬性，你必须保持冲水孔清洁，以确保座便器冲水正常。每星期应最少使用座便器清洁剂清洁一次，用长把手的刷子清洁冲水孔，并尽量伸入排污管洗刷，防止矿物质积聚。

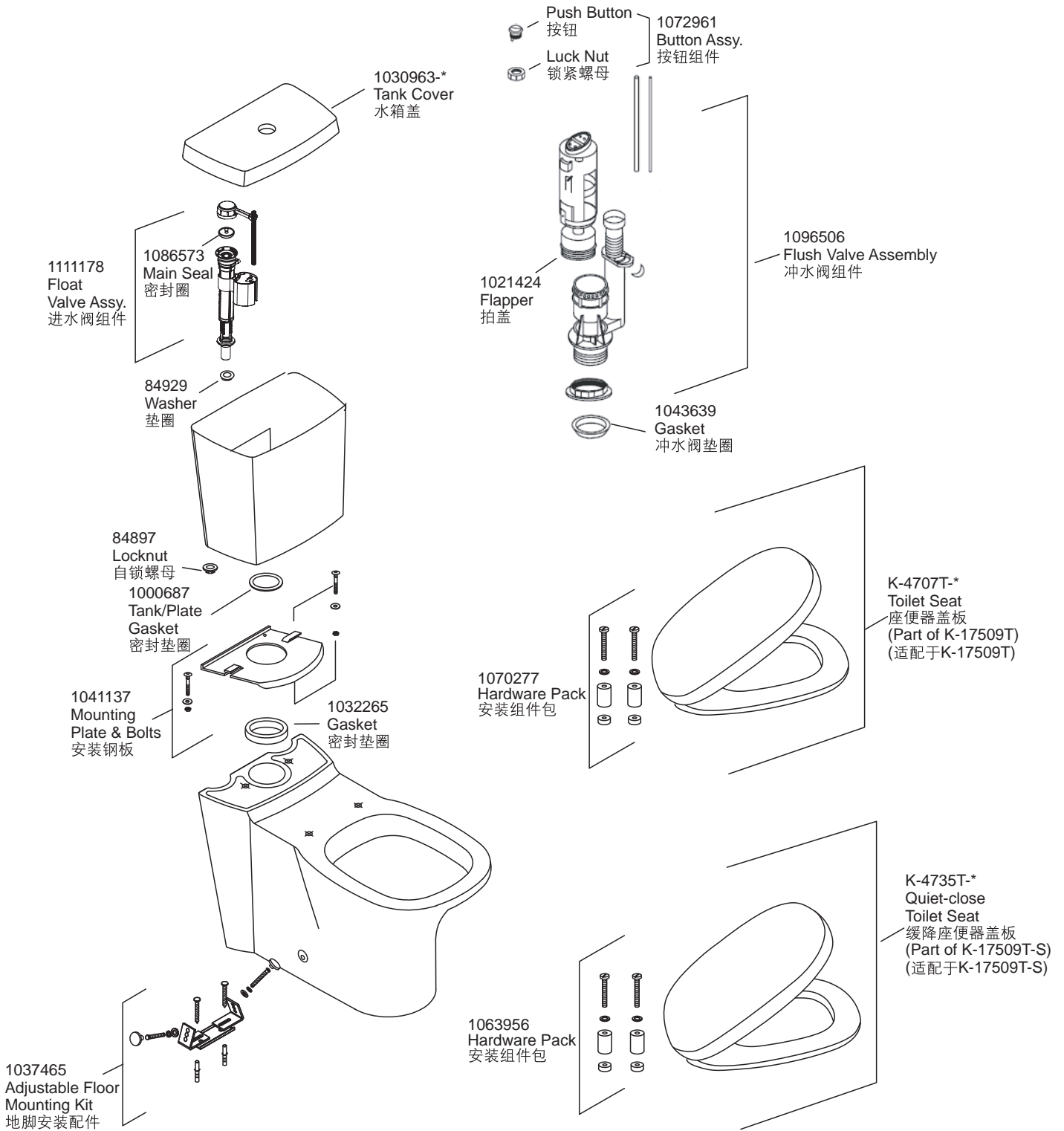
一些马桶清洁剂会损坏、腐蚀镀铬表面和龙头设备。请小心使用，避免与镀铬表面接触。

请勿使用磨蚀性清洁剂或溶剂。



警告：提防楼宇受损或损坏产品。请勿在水箱内使用冲洗剂。这些长期使用于座便器、水箱内的冲洗剂（通常为蓝色固体）因其含氯（次氯酸钙）会严重破坏水箱内的配件（如：橡皮、镀铬），从而引起渗漏，或对楼宇结构造成损坏。

科勒公司对此类因使用氯（次氯酸钙）而引致的水箱配件损毁，概不负责。



*订购时请说明颜色编号
* Color code must be specified when ordering.