



## BEFORE YOU BEGIN 开始之前

- Congratulation on your purchase of this high quality Bathroom Accessory. Before proceeding with the installation, please carefully read this installation instruction in order to ensure proper care and assembly of this accessory.
- Please keep this installation instruction for future reference.
- 首先恭喜您购买到了高档的卫浴产品，为了使您正确保护和组装产品，在您安装之前请仔细阅读此说明书。
- 请保留此说明书以备参考。

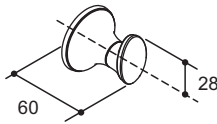
 Prior to drilling into walls, check there are no hidden electrical wires, cables or water supply pipes with the aid of an electronic detector. If you use power tools do not forget:
 

1. Wear eye protection.
2. Unplug equipment after use.

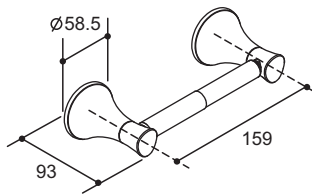
 **警示：**在钻孔之前，请借助电子探测仪确认墙内是否有电源线，通讯光缆或者水管之类的东西。如果使用电钻的话请勿忘记以下两点：
 

1. 请戴上防护镜。
2. 用完设备后关掉电源。

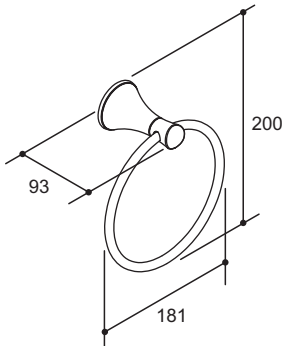
## ROUGHING-IN 尺寸图



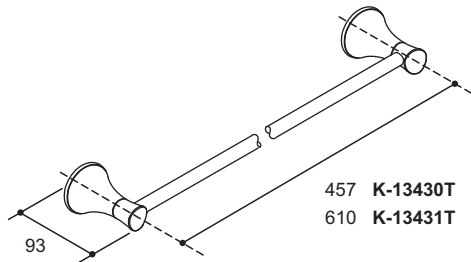
K-13433T



K-13434T



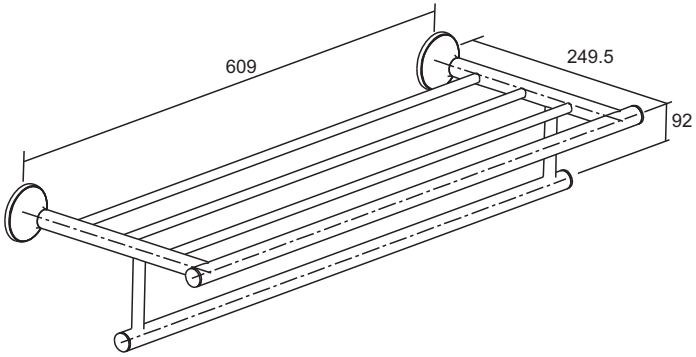
K-13435T



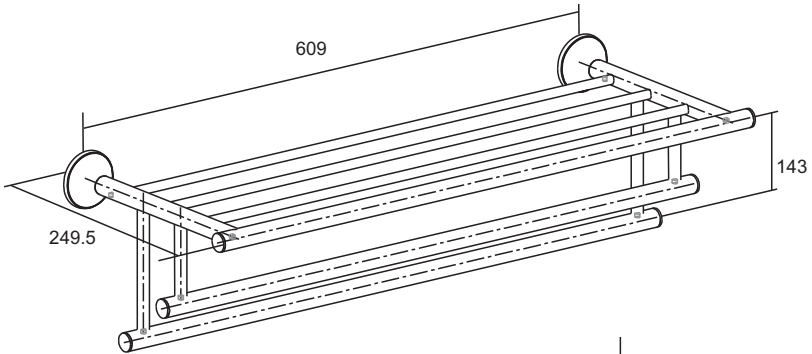
457 K-13430T  
610 K-13431T

UNIT : mm  
 单位：毫米

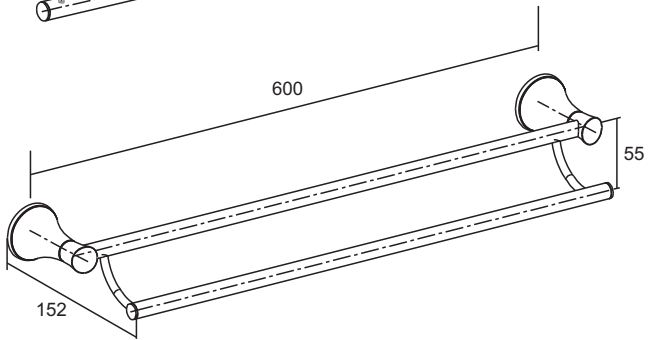
科勒(中国)投资有限公司  
 上海市闸北区江场三路158号 邮编：200436



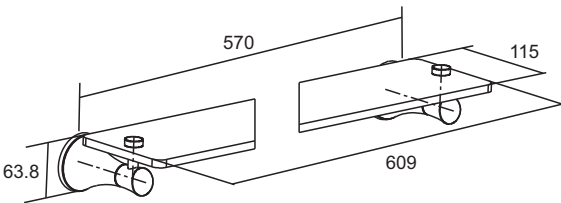
K-13448T



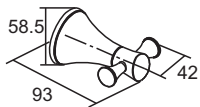
K-13458T



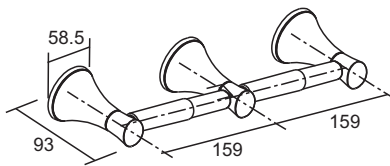
K-13447T



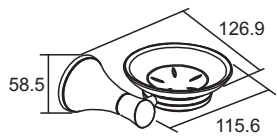
K-13428T



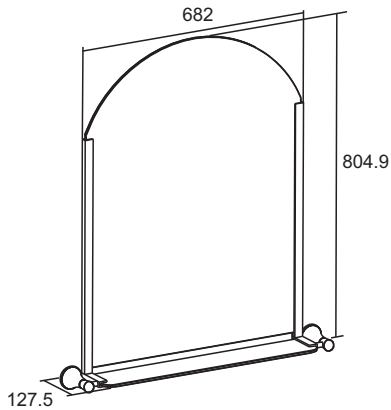
**K-13457T**



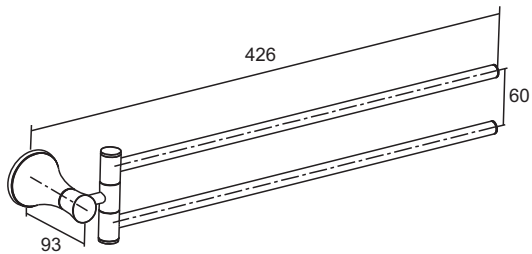
**K-13484T**



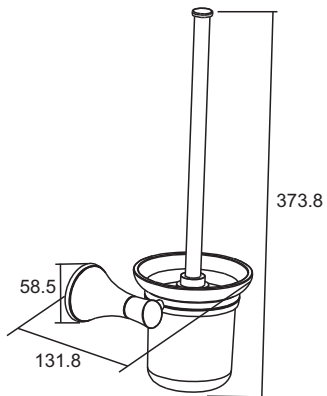
**K-13429T**



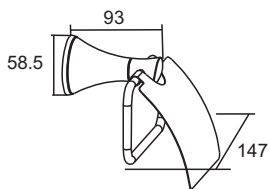
**K-13449T**



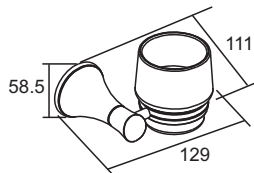
**K-13482T**



**K-13483T**



**K-13459T**



**K-13439T**

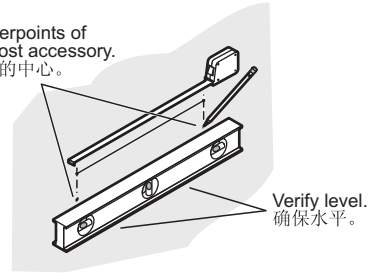
# INSTALLATION

# 安装步骤

## 1. Multiple-Post Installation

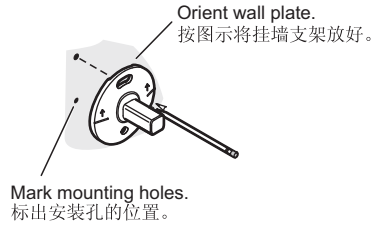
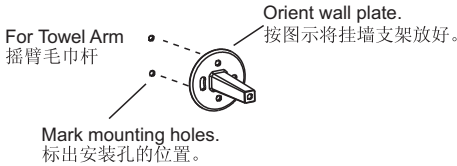
### 1. 多基座安装

Mark the centerpoints of the multiple-post accessory.  
标出多个基座的中心。



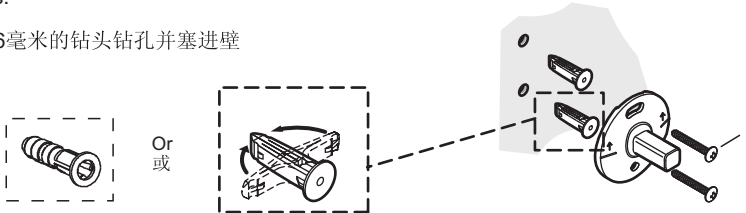
## 2. All Installations

### 2. 所有安装

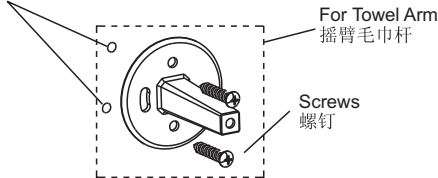


## 3. Drill marked mounting holes with 6mm bit and insert wall plugs.

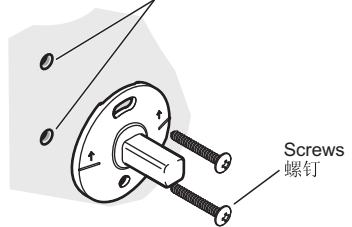
### 3. 在2中标好的孔位用6毫米的钻头钻孔并塞进壁塞。



Fix the wall plate the wall with screws.  
最后用螺钉将挂墙支架固定在墙上。



Fix the wall plate the wall with screws.  
最后用螺钉将挂墙支架固定在墙上。

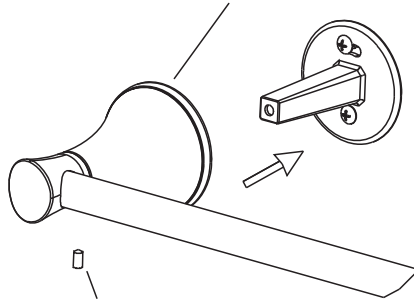


4. Secure the Accessory

4. 固定浴室配件

A Slide accessory post onto wall plate.

A 将浴室配件底座套上挂墙支架。



B Secure with setscrew.

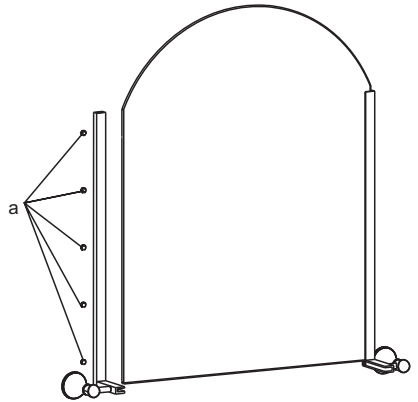
B 用固定螺丝钉将浴室配件锁紧在挂墙支架上。

## INSTALL THE MIRROR

### 镜子的安装

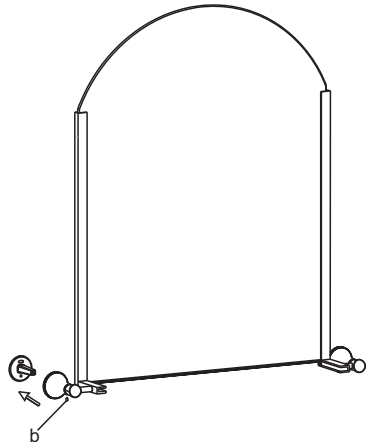
5. Remove the film on the mirror, insert the mirror into the frames and secure the screw a tightly.

5. 撕去镜面腹膜，将镜面装进两边的镜框，并拧紧镜框背面螺钉a。

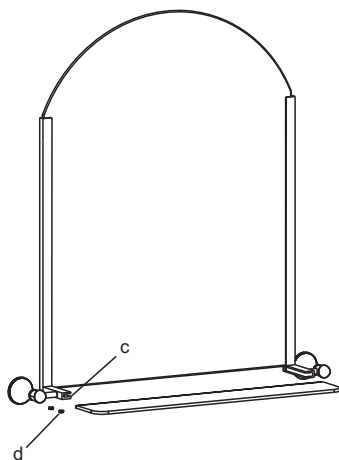


6. Slide mirror post onto wall plate, and secure the screw b tightly.

6. 将镜子底座套入挂墙支架，并拧紧底座下螺钉b。



- Slide the glass shelf into the channel c and secure the screw d tightly.
- 将玻璃平台插入卡槽c，并拧紧卡槽下螺钉d。



## CARING FOR YOUR PRODUCTS

## 保养须知

The accessories should be washed with warm water and a soft cloth or sponge. Do not use abrasive cleaners or cleaners containing bleach.

为了更好地保养本品，请您用温水和软毛巾(或海绵)擦拭，含有腐蚀剂或漂白剂的洗洁剂对本品有害。