

FINISHED WALL / BACK SPLASH
完工墙面/防溅挡板

CENTERLINE OF FITTING
安装中线

NOTE: before cutting countertop.
Allow for handle clearance.
注意: 在切割台面之前, 请留出
安装龙头的空间。

50mm

64mm

科 THE BOLD LOOK
勒 OF KOHLER
全球厨卫经典

K-2354-8
颐阳
YIN-YANG

釉面陶瓷时尚脸盆
VITREOUS CHINA WADING POOL LAVATORY
切割图/安装说明书
CUT-OUT TEMPLATE /
INSTALLATION INSTRUCTIONS

安装之前
重要事项!

- 遵守当地所有给排水及建筑规定。
- 关闭供水。
- 检查污水管及供水管, 如有需要请更换。
- 艾思格尔时尚脸盆由釉面陶瓷制成, 在预先开口的台面上进行安装。
- 安装之前, 开启新脸盆的包装, 仔细检验脸盆是否有损坏, 再将脸盆放回包装盒内, 到安装时才取用。
- 如果只是更换脸盆, 请确保现有的台面开口不大于新脸盆所需开口的尺寸。
- 在拆除旧脸盆之前请先仔细阅读这些说明。安装新脸盆之前, 请检查你是否已拥有完成安装所必须的全部材料。这将有助于避免昂贵的损失。
- 本说明书所含一切资料, 均以印刷时所有的最新产品为准。科勒公司保留随时更改产品特性, 包装或供应情况的权利, 恕不另行通知。
- 此说明书包括重要的护理, 清洁及保修资料请将此说明书交用户留存。
- 安装人员: 此说明书为用户所有, 必须与产品保存在一起, 以备维护及操作参考之用。

安全: 警告

科勒产品经过精确制造, 性能卓越, 经久耐用。为保证产品质量, 您必须:

- 按照此手册中推荐的方法进行安装、启动、操作及维护。
- 如有需要, 定期检查, 令产品保持良好性能状态。日常维护章节中列有推荐方法。

仔细检查新产品是否有损伤。

在安装科勒产品时, 必须遵循制造商有关电气安全的指令。

BEFORE YOU BEGIN
IMPORTANT!

- Observe all local plumbing and building codes.
- Turn off the water supply.
- Inspect the drainage and supply tubing. Replace if necessary.
- The Escalé Vessel is a vitreous china washbasin, designed for installation into a pre-cut counter.
- Prior to installation, unpack the new lavatory and carefully inspect it for damage. Return the lavatory to its protective carton until you are ready to install it.
- For replacement installations, make sure the existing cutout is the same or smaller size as the new lavatory.
- Carefully read these instructions before you attempt to remove your old lavatory. Before installing your new lavatory, make sure you have the proper materials necessary to complete the job. This will help you avoid costly mistakes.
- All information in these instructions is based upon the latest product information available at the time of publication. Kohler China reserves the right to make changes in product characteristics, packaging, or availability at any time without notice.
- These instructions contain import care, cleaning, and warranty information please leave these instructions for the consumer.
- Installer: This manual is the property of the customer and must be retained with the product for maintenance and operational purposes.

SAFETY: WARNINGS

Kohler products are precision-engineered and should give continued superior and safe performance, provided:

- They are installed, commissioned, operated and maintained in accordance with the recommendations given in this Manual.
- Periodic attention is given, as necessary, to maintain the product in good functional order. Recommended guidelines are given in the MAINTENANCE section.

Carefully inspect the new fixture for any signs of damage.

When installing Kohler Products, manufacturers guidelines for power tool safety should be followed.

推荐工具及材料 (不随货供应)

- 安装模板(已提供)
- 护眼镜
- 铅笔
- 卷尺
- 涂油灰刀
- 匙孔线锯或手提电锯
- 密封胶
- 剪刀
- 喉管扳钳
- 电钻(带13毫米(1/2英寸)或更大直径钻头)
- 活动扳钳
- 切管刀
- 钢锯

管道连接

热水(H)及冷水(C)入水口必须连接至正确的进水管。

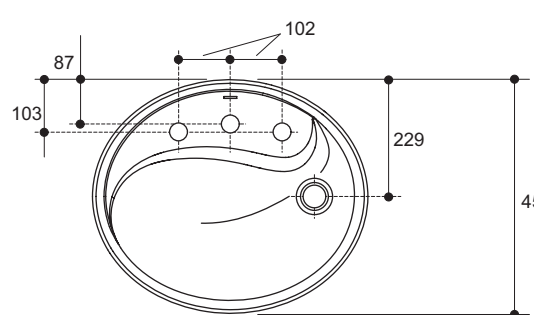
RECOMMENDED TOOLS AND MATERIALS (Not Supplied)

- Template(supplied)
- Safety Glasses
- Pencil
- Tape Measure
- Rutty Knife
- Keyhole Saw or Saber Saw
- Sealant
- Scissors
- Pipe Wrench
- Drill with 1/2" (130mm) or larger drill bit
- Adjustable Wrench
- Tubing Cutter
- Hacksaw

PLUMBING CONNECTIONS

Hot (H) and Cold (C) inlets must be connected to the correct inlet pipes.

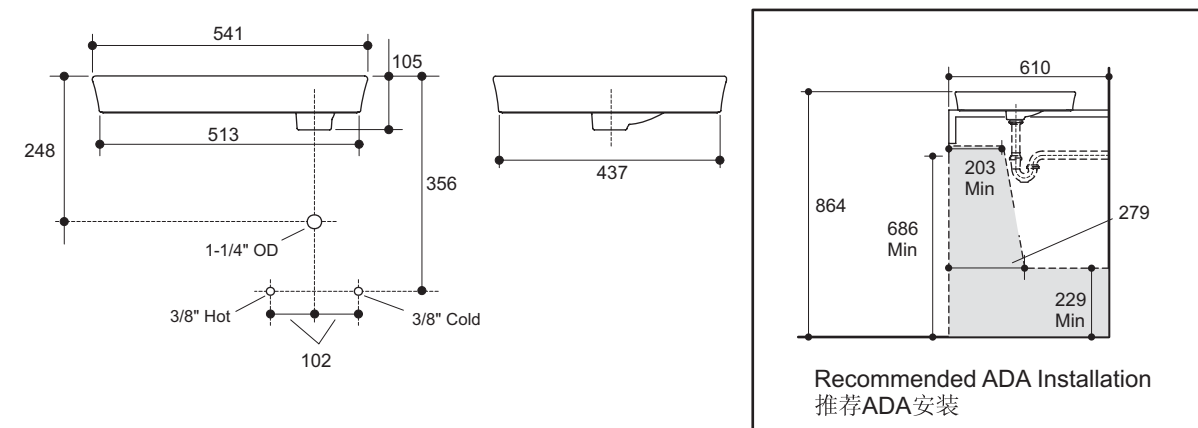
尺寸图



ROUGHING-IN

K-2354-8

Unit:mm
单位:毫米



When plotting template full size:
Make sure horizontal and vertical dimensions
match the dimensions labeled on the template.
按实际大小标绘切割图时: 确保横向及纵向
尺寸与切割图上所标尺寸一致。

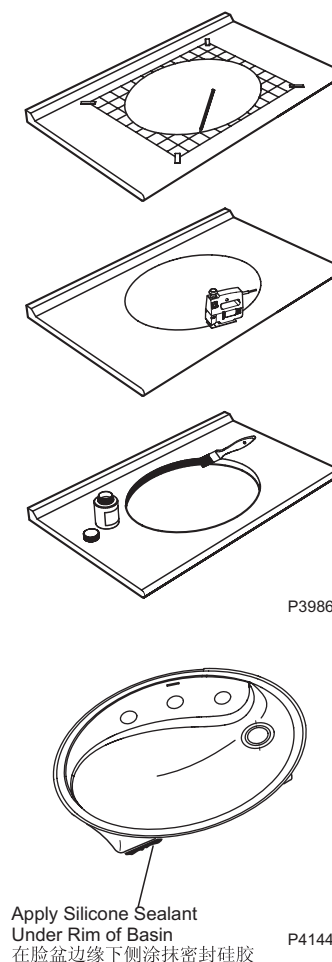
沿此线切割
CUT ALONG THIS LINE

462.2mm

386.2mm

安装脸盆

- 将安装切割图固定在台面上, 并用铅笔沿切割图轮廓划线。
- 移开切割图, 使用合适的电动工具(如手提电锯)在台面上切割开口。
- 在台面开口的底部涂上一层罩面漆, 请按制造商的说明书进行操作。
- 安装供水管道。
注意! 安装冷热供水管时必须使用隔离阀。
- 根据制造商说明书, 在脸盆边缘下侧涂抹密封胶。
- 将脸盆小心地放入台面开口。
- 擦去多余的密封胶。



INSTALL THE WASHBASIN

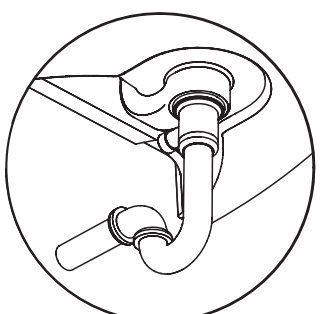
- Secure the installation template to the counter and mark around the template with a pencil.
- Remove the template and cut a hole in the counter with a suitable power tool (jigsaw etc.).
- Coat the underside of the cutout with a suitable varnish, in accordance with the manufacturer's instructions.
- Install the services.
Note! The hot and cold water supplies must be installed with isolating valves.
- Apply silicone sealant in accordance with the manufacturer's instructions, under the rim of the washbasin.
- Carefully position the washbasin into the cutout.
- Remove any excess silicone sealant.

安装管道

- 根据制造商说明书安装排水。

小心! 请确保所有脸盆排水的连接处都装有防水密封胶。

小心! 管道连接处需留有检修空间, 以备日后管道维护之用。



INSTALL THE PLUMBING

- Install the drain in accordance with the manufacturer's instructions.
CAUTION! Make sure a watertight seal exists on all washbasin drain connections.
CAUTION! Provide access to the plumbing connections for future plumbing maintenance.
- Connect the hot and cold water supplies.
- Open the hot and cold water valves and check the supply connections for any leaks.
- Run water into the washbasin and check the drain connections for any leaks.

清洁

警告! 小心产品受损。许多清洁剂都含有腐蚀性及化学物质, 不可用于清洁不锈钢、搪瓷、镀层或塑料制品。这些表面须使用温和的洗涤剂或皂液进行清洁, 彻底冲洗, 然后用干净的软布擦干。

CLEANING

Caution! Risk of product damage. Many cleaners contain abrasive and chemical substances, and should not be used for cleaning stainless steel, enamel, plated or plastic fittings. These finishes should be cleaned using a mild washing up detergent or soap solution, rinsed and then wiped dry with a soft clean cloth.

陶瓷及浴缸产品及配件担保——
年有限担保

科勒公司担保其陶瓷及浴缸产品及配件在制造工艺上无瑕疵。

本产品自购买之日起即获得本公司一年的质量保证。在质保期内, 凭购货发票, 科勒公司将免费承担由制造质量引起的任何问题。经检查后, 科勒中国有限公司有权决定是修理、更换, 还是作适当的调整。

这里所指的担保, 包括产品, 都已明确地限制在该担保期之内。科勒中国有限公司对其后出现的损坏不负有任何责任。担保也不包括外观损伤、使用不当以及未按说明书安装的损失。

为获得快捷的担保服务, 请联系您的销售商, 您也可写信给科勒中国有限公司(请出示销售发票原件作为购货凭证)。

科勒(中国)投资有限公司
中央客户服务中心
上海市卢湾区淮海中路138号
上海广场19楼
邮编: 200021

这是我们全部的书面担保。

Plumbing Fixtures and Fittings
Limited One-year Warranty

Kohler plumbing fixtures and fittings are warranted to be free of manufacturing defects.

This product is warranted for one year from date of purchase. Kohler China will be responsible for any problems caused by manufacturing defects provided with the invoice. Kohler China will, at its election, repair, replace or make appropriate adjustments where Kohler China inspection discloses any such defects occurring in normal usage within one year after purchase.

Implied warranties including that of merchantability and fitness for a particular purpose are expressly limited in duration to the duration of this warranty. Kohler China disclaims any liability for special, incidental or consequential damages. Damages to the product caused by misuse, abuse and installation that is not in accordance with the owner's manual are not covered by this warranty.

To obtain quick warranty service, please contact your dealer, or write to Kohler China. (Original sales receipt must be provided as the proof of purchase.)

Kohler China Investment Company Ltd.
Central Customer Service Center
19/F, Shanghai Square, 138 Huai Hai Road, Luwan District, Shanghai, PRC
Zip Code: 200021

This is our exclusive written warranty.

1086519-T01-A
© 版权为科勒中国有限公司所有, 2007
© Copyright Kohler China Ltd., 2007