

BEFORE YOU BEGIN

- Please read these instructions carefully to familiarize yourself with the required tools, materials, and installation sequences. Follow the sections that pertain to your particular installation. This will help you avoid costly mistakes. In addition to proper installation, read all operating and safety instructions.
- All information in these instructions is based upon the latest product information available at the time of publication. Kohler China reserves the right to make changes in product characteristics, packaging, or availability at any time without notice.
- These instructions contain important care, cleaning, and warranty information—**please leave instructions for the consumer.**

安装之前

- 请仔细阅读说明书，熟悉所需工具、材料和安装顺序，参照相关章节完成您所需的安装，以避免昂贵的损失，除了正确的安装外，请详阅所有的操作和安全说明。
- 本说明书所含的一切资料均以印刷时所有的最新产品为准，科勒中国保留权利随时更改产品特性、包装或供应情况，恕不另行通知。
- 本说明书也包含了有关保养、清洁及产品担保等重要信息—请交予用户保存。

ORDERING INFORMATION

VIA Wall-hung ToiletK-18609T
Includes VIA Wall-hung Toilet Bowl.....K-19720T
Includes OVE® Quiet-close Toilet Seat.....K-17660T-M

订购信息

维雅挂墙式座便器K-18609T
含维雅挂墙式座便器缸体K-19720T
含欧美缓降座便器盖板K-17660T-M

NOTES

- Observe all local plumbing and building codes.
- Shut off the water supply.
- Seat post holes are on 140mm centers.
- Passageways is longer than 60mm.
- Ensure have the correct roughing-in dimensions. **See Fig.#1.**
- Be very careful while working with vitreous china products. Vitreous china can break or chip if the bolts or nuts are overtightened, or if carelessly handled.
- Carefully inspect the new bowl for any sign of damage.
- Fixture dimensions are nominal and conform to tolerances established by ASME Standards (A112. 19.2-2003).

注意

- 请遵守当地所有给排水及建筑规定。
- 关闭供水。
- 座便器盖板孔中心间距为140mm。
- 排污通道大于60mm。
- 确保安装尺寸正确，请参阅图1。
- 请小心处理釉面陶瓷产品，因其容易破损和崩裂，故不可把螺栓或螺母上得过紧，且须小心轻放。
- 请仔细检查座便器是否有损坏。
- 部件尺寸为标定值，误差符合美国机械工程师学会标准 ASME(A112.19.2-2003)。

TOOLS AND MATERIALS REQUIRED (Not supplied)

- 254mm adjustable wrench
- Metal file (file cut)
- Tape measure
- Tubing cutter
- Level
- Hacksaw
- Putty knife
- Screwdriver
- Straight pipe coupling
- Connection packing

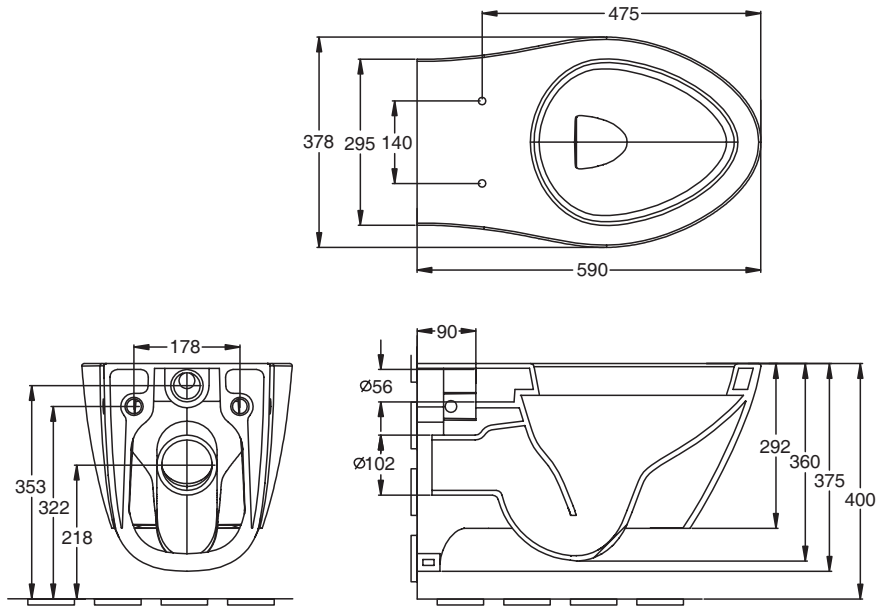
所需工具及材料(不随货供应)

- 254mm活动板钳
- 锉刀
- 卷尺
- 切管刀
- 水平尺
- 钢锯
- 涂油灰刀
- 螺丝刀
- 联结直管
- 联结组件

广东省佛山市三水区乐平镇
三水中心工业园区科勒大道 邮编：528137

Reference Value
参考值

Unit: mm
单位: 毫米



科勒公司保留随时变更图中标示尺寸的权利，无需另行通知。
Kohler reserves the right to change marked dimensions without prior notice.

Fig.#1
图1

INSTALLATION

安装

1. INSTALL THE TANK

- 1) Turn the water supply off before installing the new toilet.
- 2) Install the concealed tank system in wall before decorating the wall.
- 3) Install the tank system per tank's installation instructions.

Recommended tanks

- 1) ODEON Inwall Tank 6284T-NA (With iron rank)
And ODEON Inwall Tank plate 6283T-**
- 2) OVE Inwall Tank 6287T-NA (With iron rank)
And OVE Inwall Tank plate 6288T-**
- 3) OVE Touchless Inwall Tank 6281T-NA

1. 安装水箱

- 1) 安装新座便器前先关闭供水。
- 2) 在装饰墙面前先将入墙式水箱系统安装入墙体内部。
- 3) 参照水箱安装说明书完成水箱系统的安装。

推荐使用的水箱

- 1) 奥帝安入墙式隐藏水箱6284T-NA (含固定支架)
及奥帝安入墙式隐藏水箱面板6283T-**
- 2) 欧芙入墙式隐藏水箱6287T-NA (含固定支架)
及欧芙入墙式隐藏水箱面板6288T-**
- 3) 欧芙自动感应入墙式隐藏水箱6281T-NA

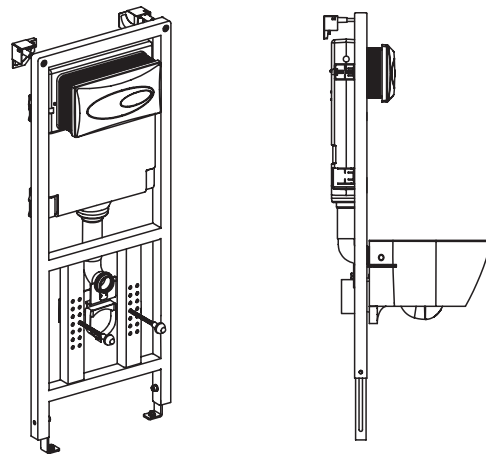


Fig.#2
图2

2. SET THE SPACING OF THE BOWL

After you install the tank, be careful to set the spacing of set aside the length for carrier studs and tighten nut. The bowl on wall according to the dimensions as shown. **See Fig. #3.**

2. 座便器定位

水箱安装完成后，根据图示尺寸，小心地在墙面上定好座便器的位置，并预留好承托螺杆的长度，旋上安装螺母。见图3。

NOTE: Please reserve 10mm space for the nut strictly according to the picture. Otherwise, it will greatly affect the loading capacity of the toilet.

注意：请严格按照图示要求给安装螺母留10mm空隙，否则将减弱座便器承重能力。

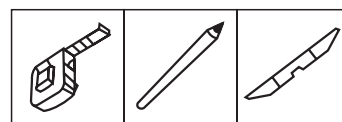
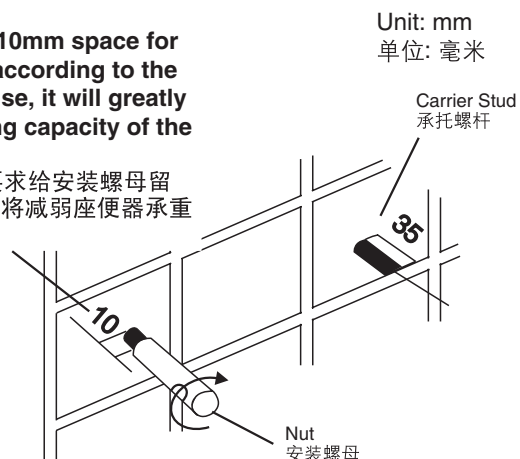
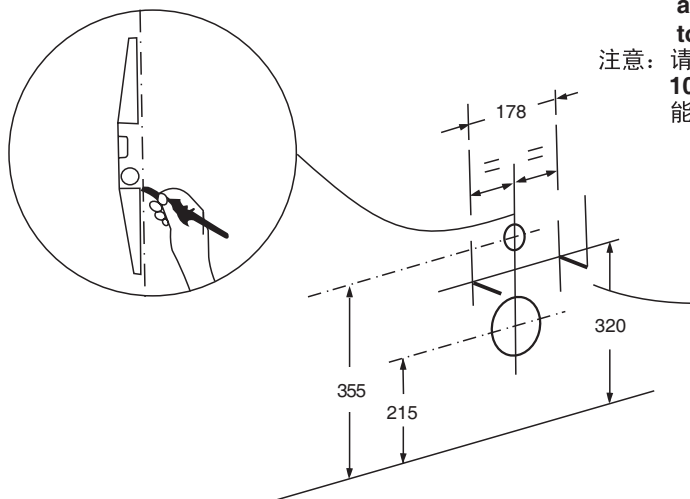


Fig.#3
图3

3. ATTACH CONNECTION PIPE

- 1) Attach inlet pipe which set aside the length to the concealed tank.
- 2) Attach outlet pipe to the toilet.
- 3) You may apply some lubricant to help connect smoothly. **See Fig. #4.**
- 4) Please tilt the outlet pipe a little after it is installed to prevent water storage. **See Fig.#5.**

3. 安装联结管

- 1) 将已做好预留长度的进水管与入墙式水箱联结。
- 2) 将已做好预留长度的排污管与座便器联结。
- 3) 可以使用润滑剂，有助联结。见图4。
- 4) 排污管装好以后要略向下倾斜，以防止产生积水。见图5。

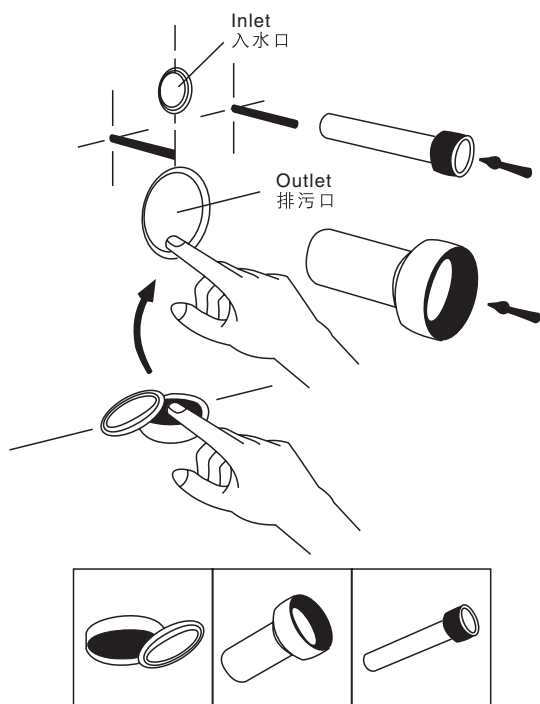


Fig.#4
图4

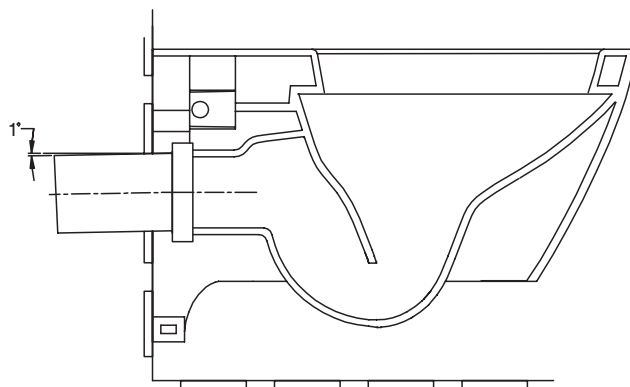


Fig.#5
图5

4. INSTALL THE NEW TOILET

- 1) Install the accessory kit into the installing hole.
- 2) Place the new toilet on the wall through the carrier.
- 3) Use wrench to tighten accessories and level the toilet.
Then finish fixation.
- 4) Insert the cap into installing hole. **See Fig. #6.**

4. 安装座便器

- 1) 将安装配件装配在座便器的安装孔中。
- 2) 将座便器穿过承托螺杆置于墙上。
- 3) 用六方扳手上紧安装配件，同时调整座便器至水平，然后完成固定。
- 4) 将装饰帽扣入安装孔。见图6。

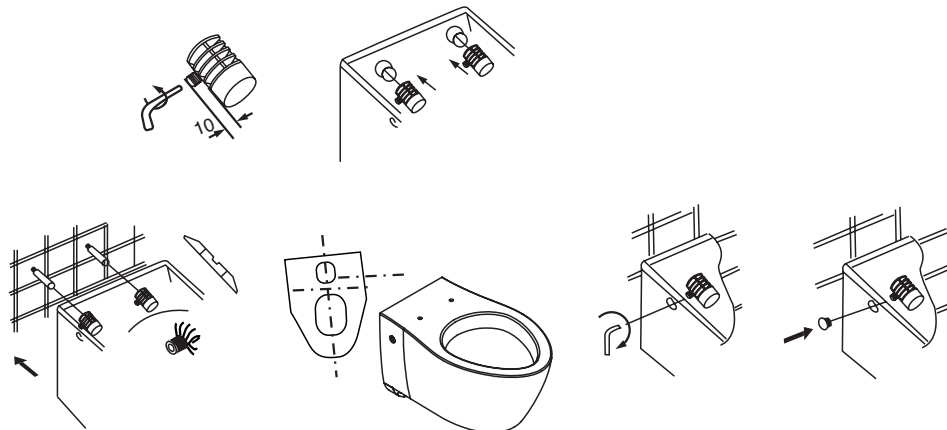


Fig.#6
图6

-
- 5. Apply sealant to make sure the bowl's edge seals to the wall. **See Fig. #7.**

- 5. 建议使用密封胶，保证座便器边缘紧贴墙面。见图7。

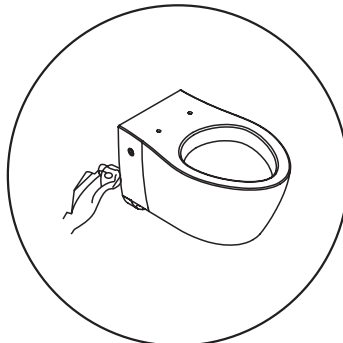


Fig.#7
图7

-
- 6. Install the toilet seat according to its installation instructions.

- 6. 根据盖板说明书安装盖板。

CONSUMER RESPONSIBILITIES

When cleaning up after installation, do not use abrasive cleansers, as they may scratch and dull the toilet surface. Use warm water and a liquid detergent to clean the surface.

Remove stubborn stains, paint, or tar with turpentine or paint thinner. Do not allow cleaners containing petroleum distillates to remain in contact with any toilet surface for long periods of time.

Remove plaster by carefully scraping with a wood edge. Do not use metal scrapers, wire brushes, or other metal tools. Use a powder type detergent on a damp cloth to provide mild abrasive action to any residual plaster.

Clean the outside surface of your vitreous china product with mild soap and warm water. Wipe the entire surface completely dry with a clean, soft cloth.

Most toilet bowl cleaners are not harmful to the vitreous china surface of the toilet bowl. Please follow the bowl cleaner manufacturer's instructions carefully.

Do not use abrasive cleaners or solvents.

用户责任

安装完成进行清理时，切勿使用腐蚀性清洁剂，因为它们会刮伤座便器表面，使色彩变得黯淡。使用温水和液体清洁剂来清洁表面。

使用松节油或油漆稀释剂，清除顽固污渍、油漆或柏油。切勿让含有石油提炼物的清洁剂长时间接触座便器表面。

使用木片小心地刮除油灰，切勿使用金属刮刀，钢丝球，或其它的金属工具。使用粉末状清洁剂和湿布柔和地擦去油灰。

使用中性肥皂和温水清洁釉面陶瓷产品的表面。擦拭整个表面，用干净的软布擦干。

大多数马桶清洁剂对座便器表面是无害的，请认真遵循马桶清洁剂制造商的指示来操作。

请勿使用腐蚀性清洁剂或溶剂。