

BEFORE YOU BEGIN

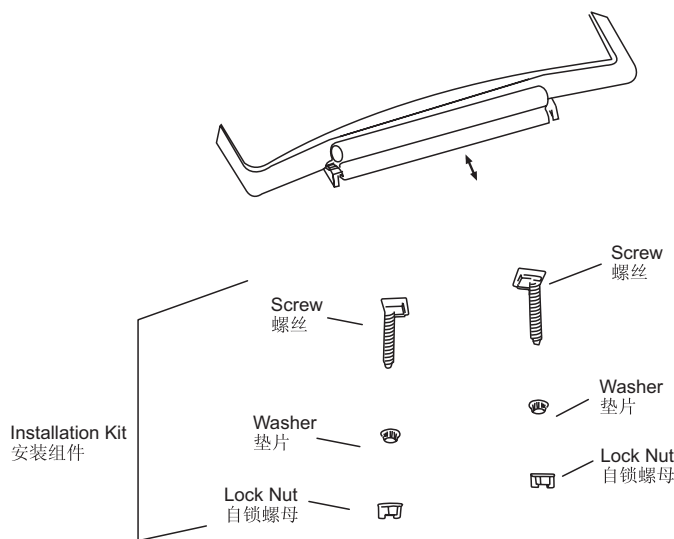
- Thank you for choosing the Bold Look of Kohler. Kohler craftsmanship offers you a rare combination of proven performance and graceful sophistication that will satisfy you for years to come. The quality and dependability of your Kohler toilet seat will surpass your highest expectations. We're very proud of our products here at Kohler and we know you will be too.
- Please take a few minutes to study this manual. Pay special attention to the Care and Cleaning instructions.
- All information in this manual is based upon the latest product information available at the time of publication. At Kohler, we constantly strive to improve the quality of our products. We reserve the right to make changes in product characteristics, packaging or availability at any time without notice.

安装之前

- 感谢您选择科勒公司产品。科勒的精湛工艺为您提供优异性能和雅致外形相结合的完美产品，将使您对今后的使用感到满意。科勒座便器盖板的优异性能和质量将超出您的期望。我们为科勒产品感到骄傲，您一定会有同样的感受。
- 请仔细阅读此手册。并请特别注意保养和清洁指南。
- 此手册中所有信息均来源于此手册发表时最新产品的信息。科勒公司将一如既往地致力于提高产品质量。科勒公司保留随时更改产品规格、包装、或者供货的权利，恕不另行通知。

INSTALLATION

安装




- Fix the hinge base onto the bowl with screws.
- Insert the seat into the hinge base.
- Insert the hinge lock.

- 用螺栓将铰链座固定在陶瓷件上。
- 将盖板插入铰链座。
- 插上锁扣。

IMPORTANT CONSUMER INFORMATION 用户须知

Care and Cleaning


 **CAUTION: Risk of product damage.** Do not stand on the toilet seat. The weight could damage the hinges.

The toilet seat may be completely removed for a complete cleaning. Refer to the "Toilet Seat Operation" section for detailed information.

Clean the outside surface of your toilet seat with mild soap, such as liquid dish soap and warm water. Wipe the entire surface completely dry with a clean soft cloth. Do not use any abrasive cleaners, as they will scratch and dull the surface. Avoid any detergents, disinfectants, or cleaning products in aerosol cans. Avoid contact with abrasive chemicals and cosmetics, such as fingernail polish and aftershave, as they may damage the finish of your toilet seat.

If the surface becomes excessively dirty, please use a general purpose cleaner.

保养和清洗

 **注意：小心产品受损。**座便器盖板上禁止站立，超重可能导致铰链受损。

座便器盖板可以完全拆除，方便彻底清洗。细节请参照“座便器盖板操作”部分。

使用温和的皂液清洁座便器盖板外侧，例如洗洁精和温水。然后用干净的软布擦干。不要使用任何磨损性的清洗剂。他们会创伤表面，使表面失去光泽。避免使用任何气雾罐中的清洁剂、消毒剂或者清洗产品。避免与磨损性的化学品和化妆品接触，诸如指甲油和须后水，因为它们可能破坏座便器盖板的表面。

如果盖板表面很脏，请使用一般性的洗涤剂。

